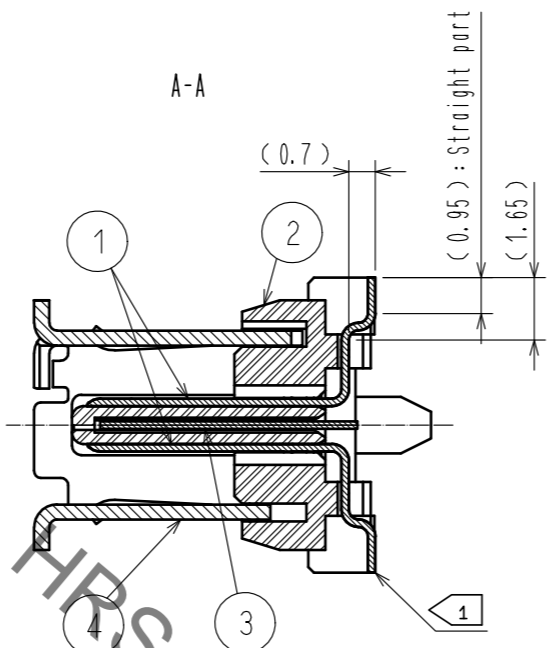
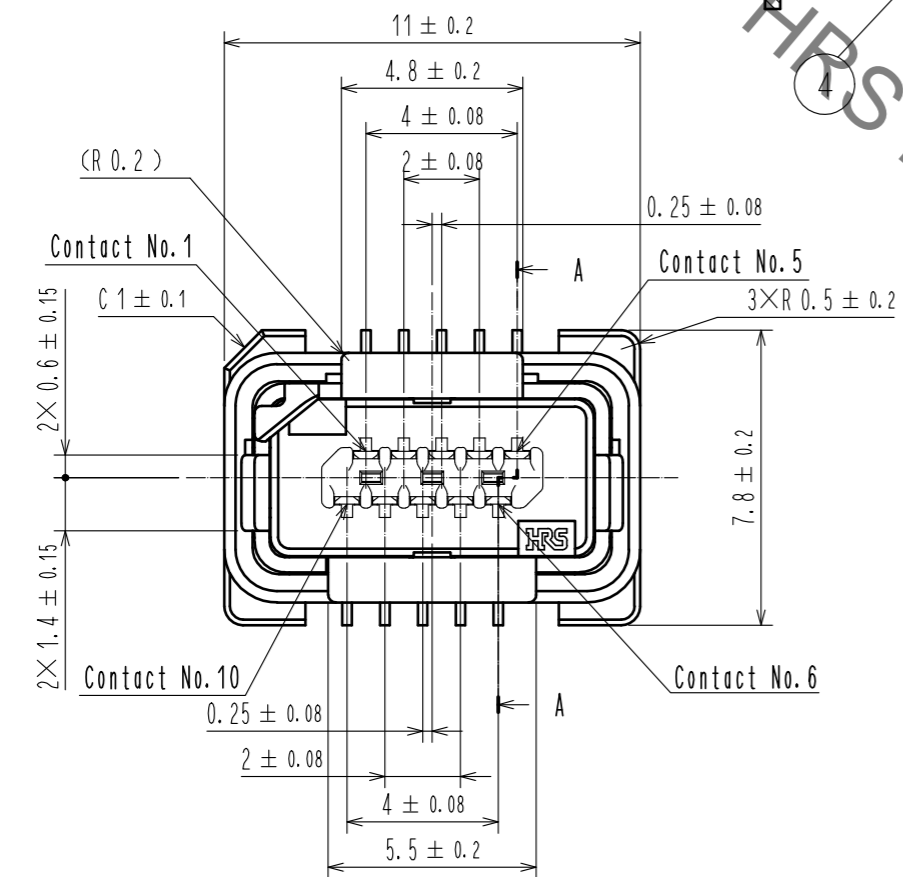
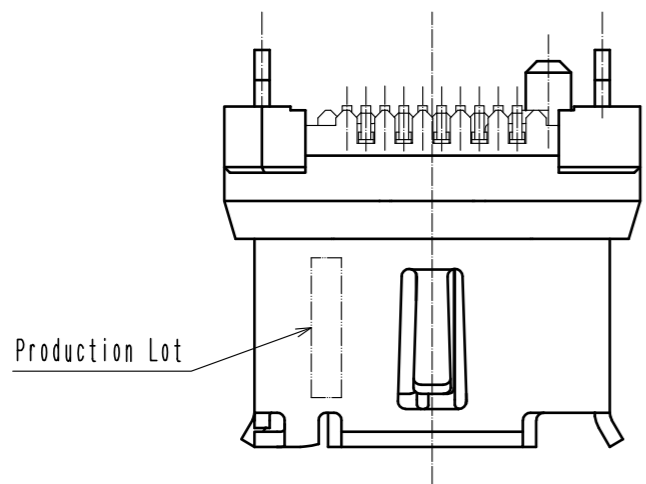


Jan.1.2021 Copyright 2021 HIROSE ELECTRIC CO., LTD. All Rights Reserved.  
In case of consideration for using Automotive equipment / device which demand high reliability, kindly contact our sales window correspondents.



Notes. 1 Co-planarity is within 0.1 mm.

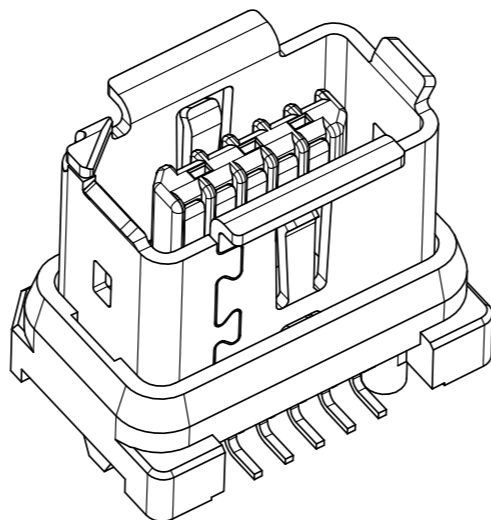
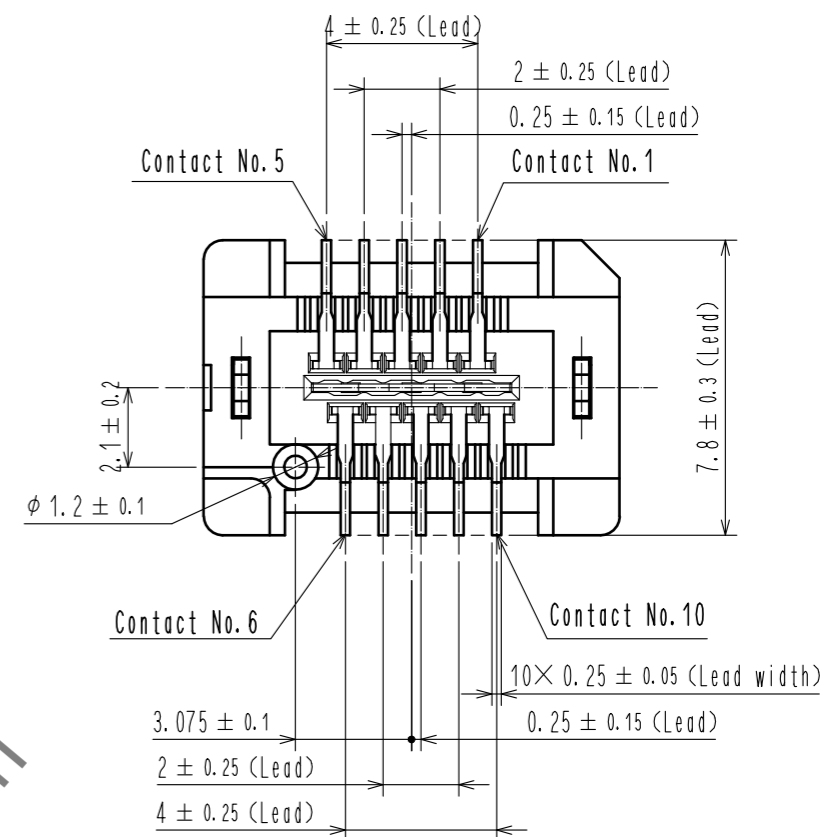
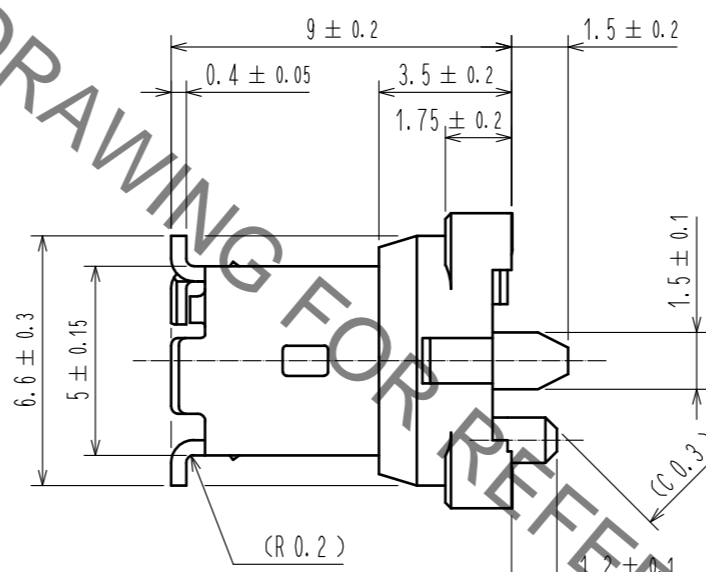
2. As for part No.4 the performance remains good though there might be a difference in the plating luster between each plating lots.

3 Per reel : 450 pcs.  
The vacuum cap (part No.5) is attached to this product at delivery.

4 Refer to the mated condition diagram for the panel thickness and layout.

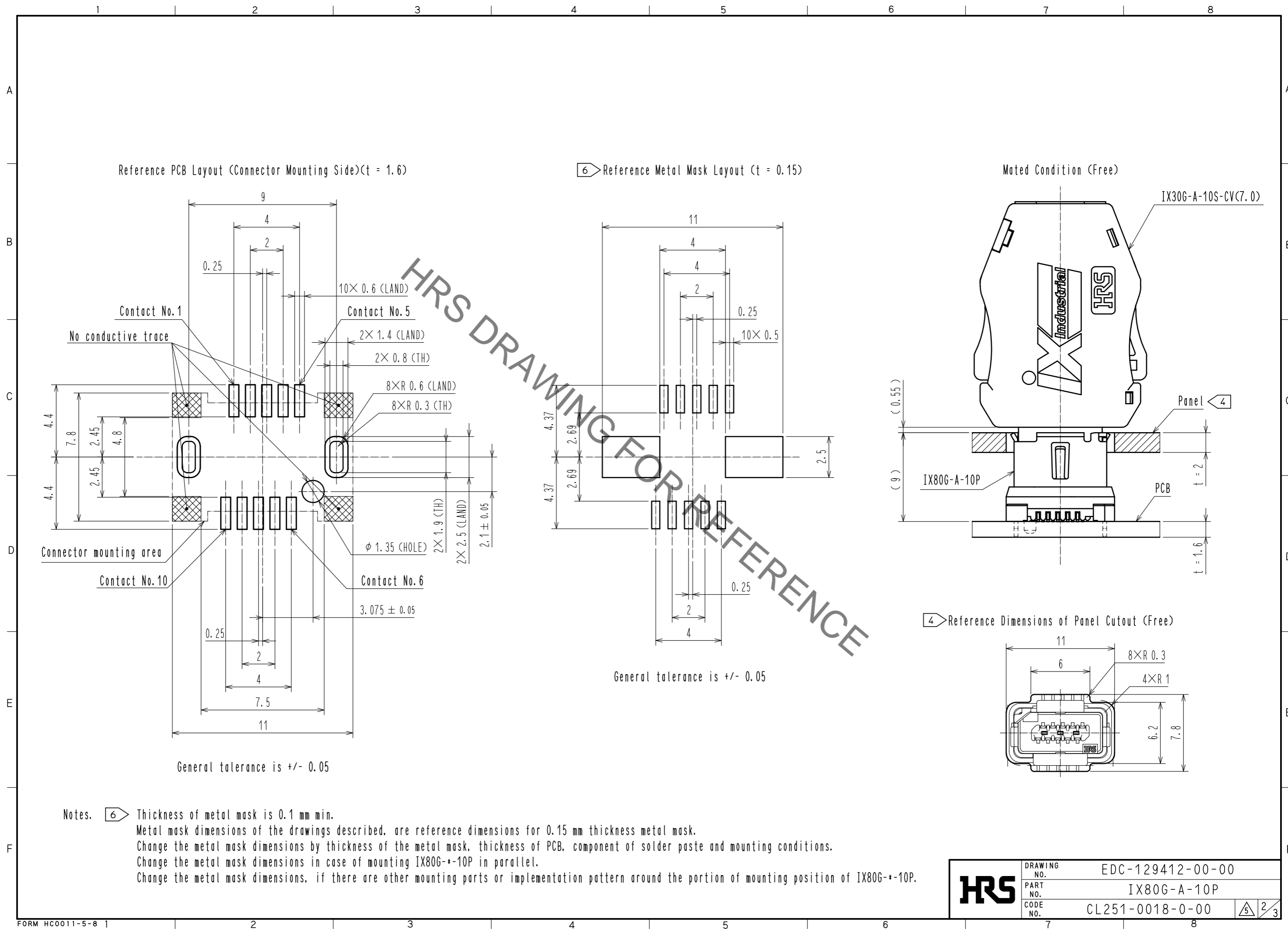
5. This product is mounted by reflow soldering.  
Refer to specification sheet ELC-129412-00-00 for reflow soldering.

HRS DRAWING FOR REFERENCE



3	Stainless Steel		7	PE	
2	Polyamide	Gray - UL94V-0	6	PS	
1	Copper Alloy	Contact area : Gold 0.2 μm min. Lead area : Gold 0.03 μm min. Under plating : Nickel 2 μm min.	5	Polyamide	Black - UL94V-0
			4	Stainless Steel	Surface : Tin 1 μm min. Under plating : Nickel 0.2 μm min.
NO.	MATERIAL	FINISH . REMARKS	NO.	MATERIAL	FINISH . REMARKS
UNITS	mm	SCALE 5 : 1	COUNT 1	DESCRIPTION OF REVISIONS	DESIGNED TS. ITO
				DIS-E-00003236	CHECKED KI. KAGOTANI
					DATE 20200904
APPROVED : RI. TAKAYASU		20171013	DRAWING NO. EDC-129412-00-00		
CHECKED : KI. NAGANUMA		20171013	PART NO. IX80G-A-10P		
DESIGNED : YS. SAKODA		20171013	CODE NO. CL251-0018-0-00		
DRAWN : YS. SAKODA		20171013			

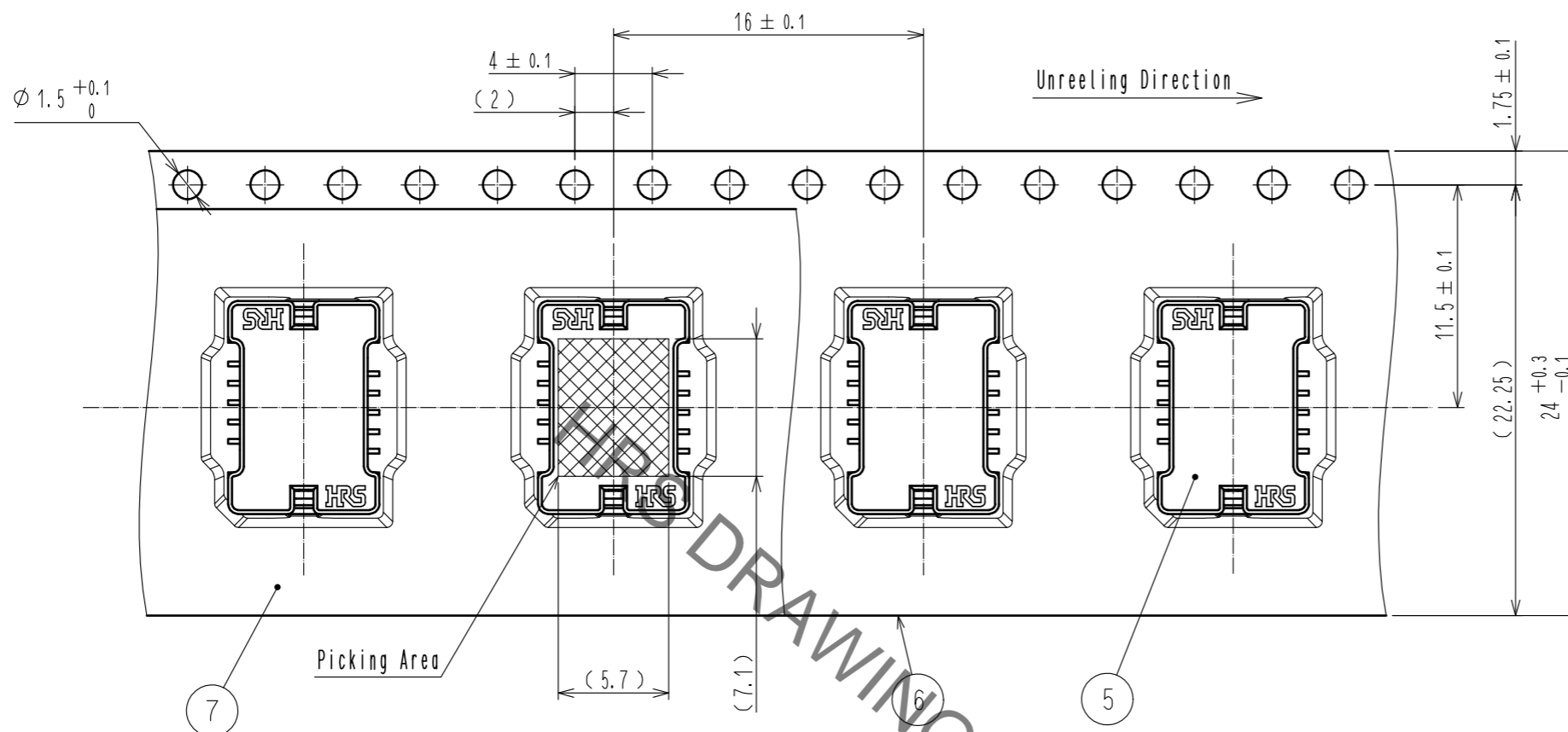
Jan.1.2021 Copyright 2021 HIROSE ELECTRIC CO., LTD. All Rights Reserved.  
 In case of consideration for using Automotive equipment / device which demand high reliability, kindly contact our sales window correspondents.



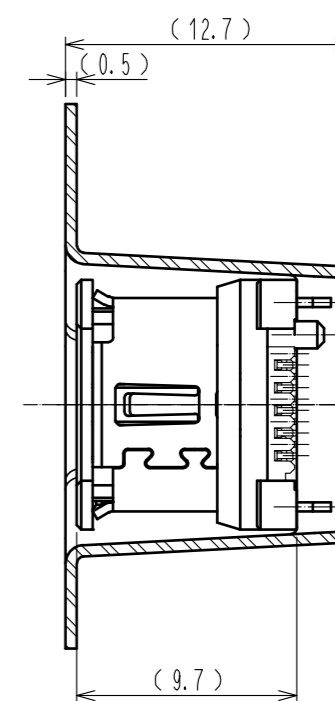
<b>HRS</b>	DRAWING NO.	EDC-129412-00-00	<span style="border: 1px solid black; padding: 0 2px;">5</span> / <span style="border: 1px solid black; padding: 0 2px;">2</span> / <span style="border: 1px solid black; padding: 0 2px;">3</span>
	PART NO.	IX80G-A-10P	
	CODE NO.	CL251-0018-0-00	

Jan.1.2021 Copyright 2021 HIROSE ELECTRIC CO., LTD. All Rights Reserved.  
 In case of consideration for using Automotive equipment / device which demand high reliability, kindly contact our sales window correspondents.

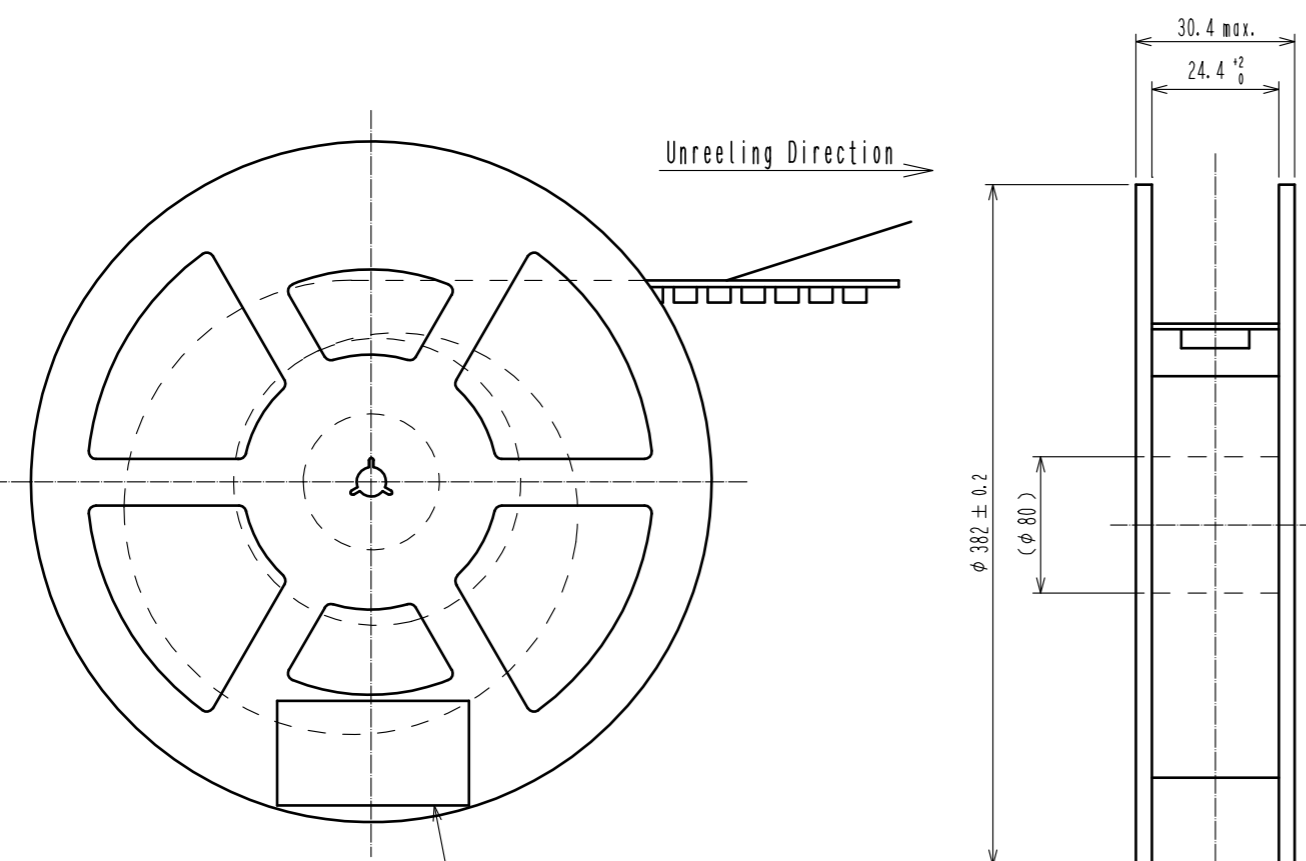
3 Drawing for packing (Free)



(Added side view)

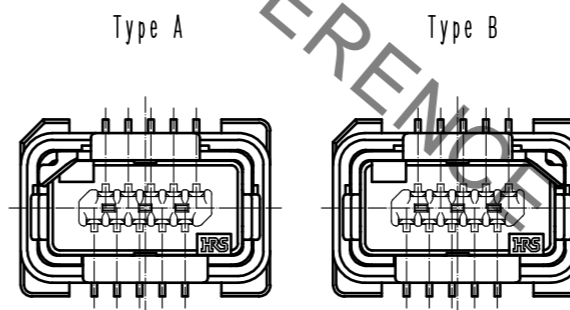


Notes. 7. This product (Type A) is defined for 10/100 Mbit/s and 1/10 Gbit/s Ethernet communication. Please use Type B for all other non Ethernet applications like signaling, serial or other industrial bus communication systems.



Label (Part No. , Code No. , Lot No. , Packing Quantity)

Mating Shape



Pin Assignment For 10/100 Mbit/s And 1/10 Gbit/s Ethernet

Contact No.	Signal	
	10/100 Mbit/s	1/10 Gbit/s
1	TX+	BI_DA+
2	TX-	BI_DA-
3	N.C	GND
4	N.C	BI_DC+
5	N.C	BI_DC-
6	RX+	BI_DB+
7	RX-	BI_DB-
8	N.C	GND
9	N.C	BI_DD+
10	N.C	BI_DD-

**HRS**

DRAWING NO. EDC-129412-00-00  
 PART NO. IX80G-A-10P  
 CODE NO. CL251-0018-0-00

3/3