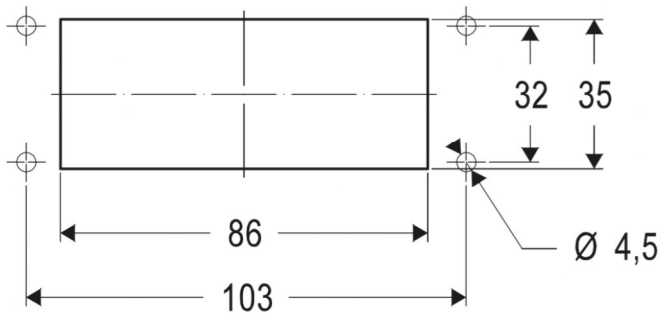


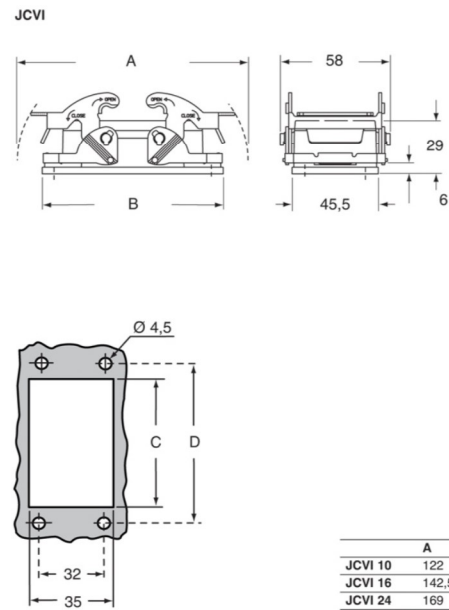
Part number
JCVI 16



Catalogue drawings



Catalogue drawings



| | A | B | C | D |
|---------|-------|-------|-----|-----|
| JCVI 10 | 122 | 95,5 | 65 | 83 |
| JCVI 16 | 142,5 | 115,5 | 86 | 103 |
| JCVI 24 | 169 | 142,5 | 112 | 130 |