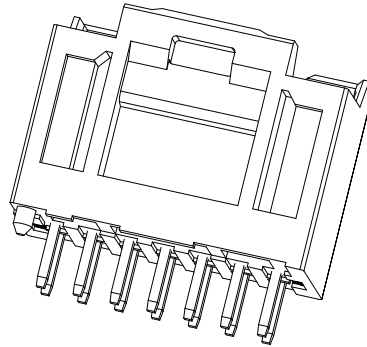
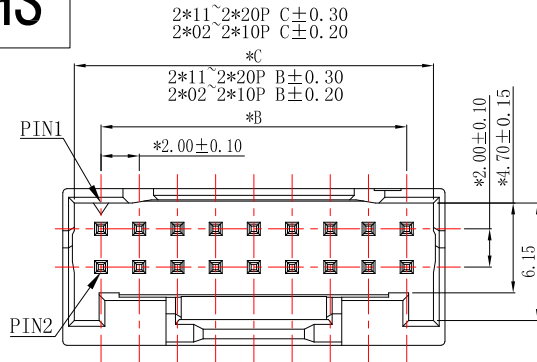


RoHS



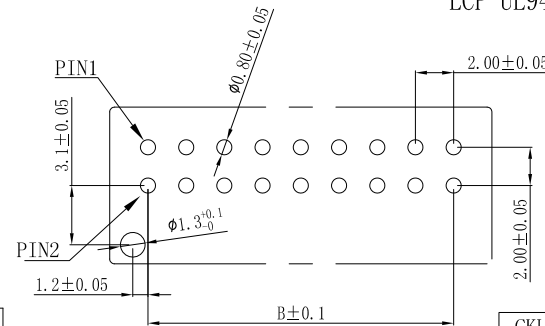
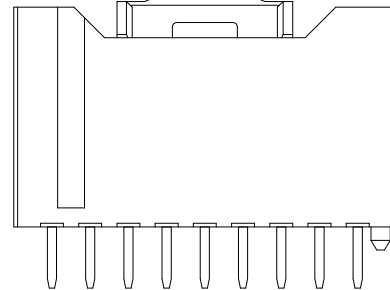
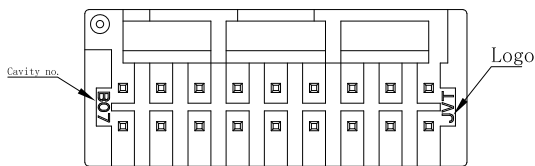
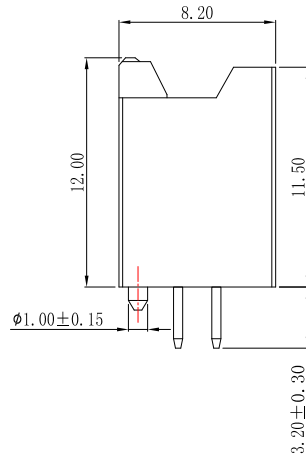
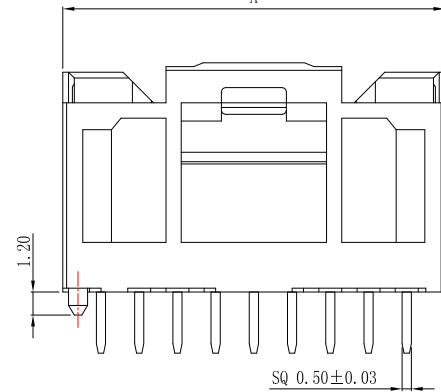
■ Specifications

- Voltage rating: 250V AC/ DC
- Current rating: 2A AC/ DC
- Withstanding Voltage: 1000V AC/minute.
- Insulation resistance: 1000MΩ Min.
- Temperature range: -25° C~+85° C
- Contact resistance: 20mΩ Max.

■ Wafer

- Material: LCP UL 94V-0
- Pin: Brass/Tin-Plated

2\*11~2\*20P A±0.35  
2\*06~2\*10P A±0.30  
2\*02~2\*05P A±0.25  
A



P. C. B LAYOUT

JVT2036WLP-2\*XXSNP-D

Logo  
Series NO.  
WAFER  
LCP UL94V-0  
D-DIP  
P-With boss  
SN-Tin Plated  
Pin NO.

CKL	A	B	C	CKL	A	B	C
2*02	6	2	4.8	2*12	26	22	24.8
2*03	8	4	6.8	2*13	28	24	26.8
2*04	10	6	8.8	2*14	30	26	28.8
2*05	12	8	10.8	2*15	32	28	30.8
2*06	14	10	12.8	2*16	34	30	32.8
2*07	16	12	14.8	2*17	36	32	34.8
2*08	18	14	16.8	2*18	38	34	36.8
2*09	20	16	18.8	2*19	40	36	38.8
2*10	22	18	20.8	2*20	42	38	40.8
2*11	24	20	22.8				

Version	Content of change	Date	Signature	Unit	mm	Scale	1:1	Date	20210623	Approved by	Check	Design	Standard	2.0mm DUAL ROW 180° DIP WAFER With boss
										LI	CLYDE	LU	P/N	JVT2036WLP-2*XXSNP-D
													Map title	031
													Version	A0