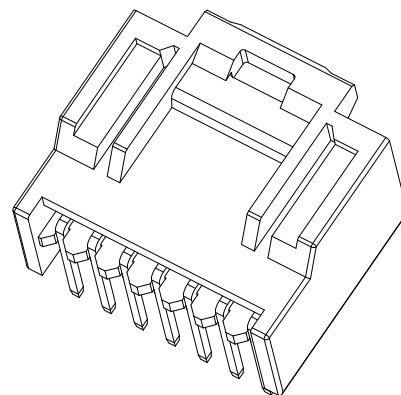
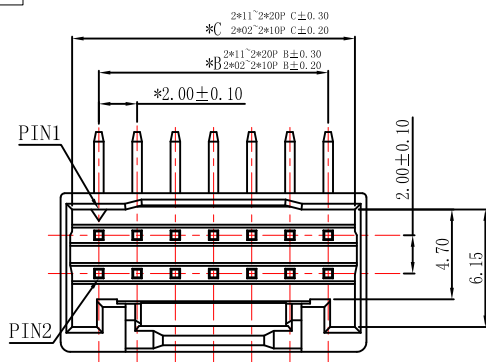


RoHS



■ Specifications

- Voltage rating: 250V AC/ DC
- Current rating: 2A AC/ DC
- Withstanding Voltage: 1000V AC/minute.
- Insulation resistance: 1000MΩ Min.
- Temperature range: -25° C~+85° C
- Contact resistance: 20mΩ Max.

■ Wafer

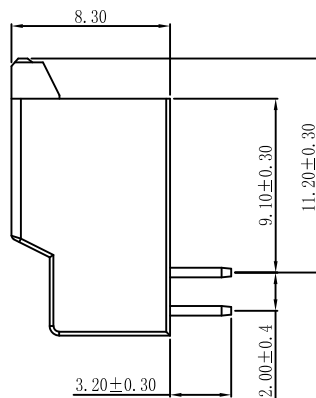
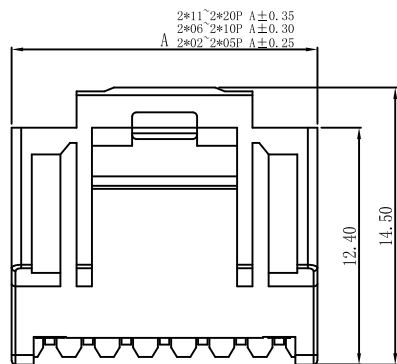
- Material: LCP UL 94V-0
- Pin: Brass/Tin-Plated

1

1

2

2



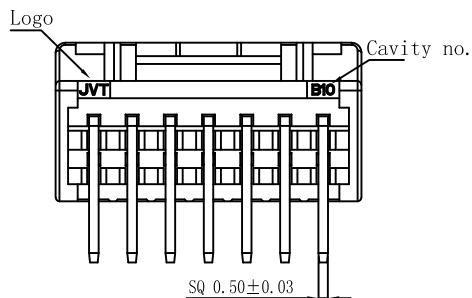
JVT2036WLP-2*XXSNR-D

Logo
Series NO.
Wafer
LCP UL94V-0

D-DIP
R-Right Angle 90°
SN-Tin Plated
Pin NO.

3

3



4

4

CKL	A	B	C	CKL	A	B	C
2*02	6.00	2.00	4.80	2*12	26.00	22.00	24.80
2*03	8.00	4.00	6.80	2*13	28.00	24.00	26.80
2*04	10.00	6.00	8.80	2*14	30.00	26.00	28.80
2*05	12.00	8.00	10.80	2*15	32.00	28.00	30.80
2*06	14.00	10.00	12.80	2*16	34.00	30.00	32.80
2*07	16.00	12.00	14.80	2*17	36.00	32.00	34.80
2*08	18.00	14.00	16.80	2*18	38.00	34.00	36.80
2*09	20.00	16.00	18.80	2*19	40.00	36.00	38.80
2*10	22.00	18.00	20.80	2*20	42.00	38.00	40.80
2*11	24.00	20.00	22.80				

Version	Content of change	Date	Signature	Unit	mm	Scale	1:1	Date	20210623	Approved by	Check	Design	Standard	2.0mm DUAL ROW 90° DIP WAFER
										LI	CLYDE	LU	P/N	JVT2036WLP-2*XXSNR-D
													Map title	031 Version A0

A

B

C

D

E

F

G

H