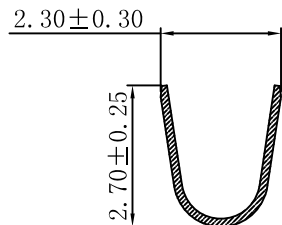
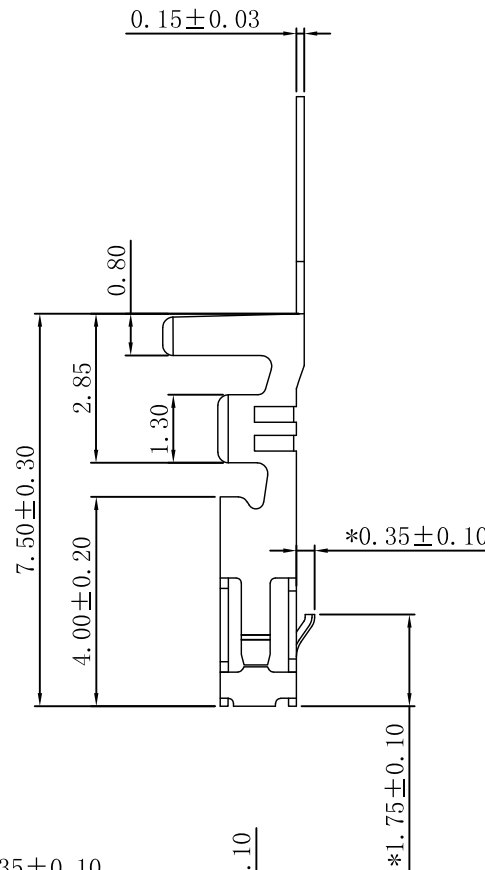
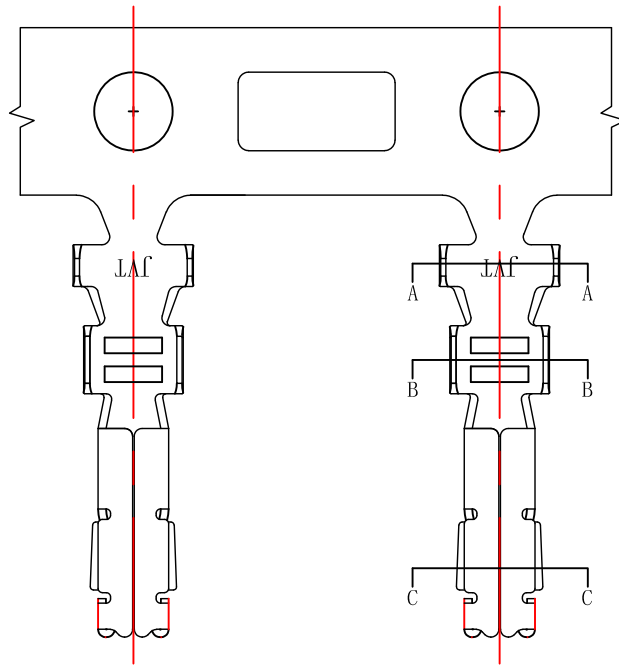
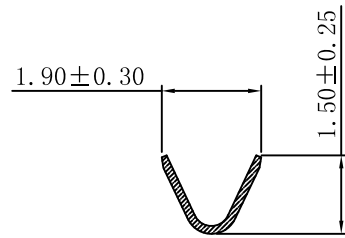


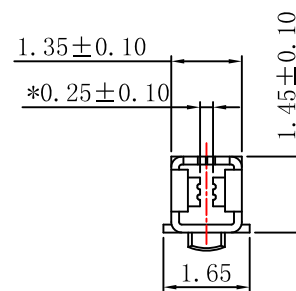
RoHS



SEC: A-A



SEC: B-B



SEC: C-C

## TERMINAL

- Material: Phosphor bronze
- Finish: Tin plated
- Thickness: 0.15mm
- Applicable wires: AWG#22~28
- Q' ty: 10,000pcs/reel
- O' D: 1.50mm MAX
- Suitable JVT2060H series HSG
- Suitable JVT2060W series Wafer

JVT2060TP-SNS

Logo—  
Series NO.—  
T-Terminal—  
P-Phosphor  
bronze

S—Stamping  
before Plating  
Tin Plated



			GENERAL TOLERANCE			Approved by			Check	Design	Standard	2.0mm TER											
			0 ±0.35			LI			CLYDE	LU	P/N	JVT2060TP-SNS											
			.0 ±0.30			Unit			mm	Scale	1:1	Date	20190825	Map title	031	Version	A0						
Version			Content of change			Date			Signature														
A			B			C			D			E			F			G			H		

**JVT** 乔业连接器  
JVT CONNECTORS  
CONNECTORS