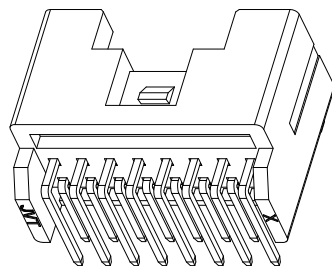
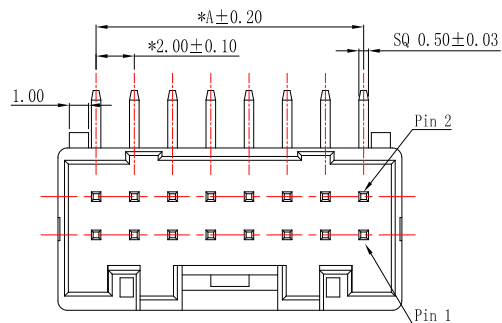


RoHS

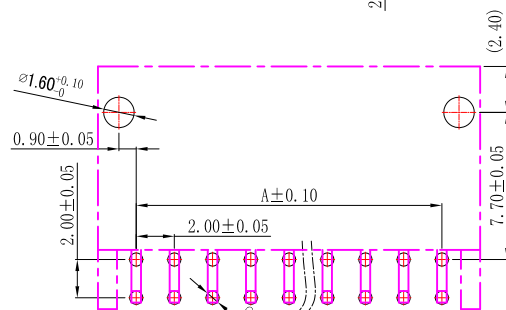
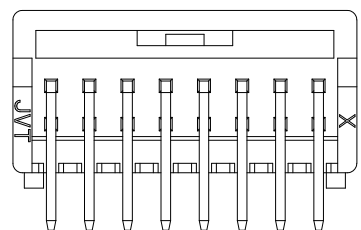
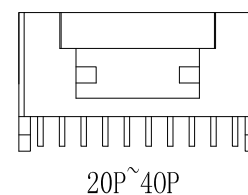
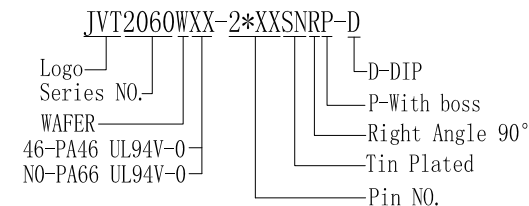
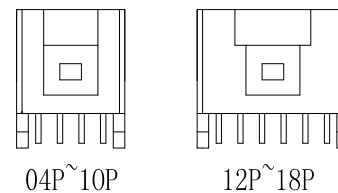
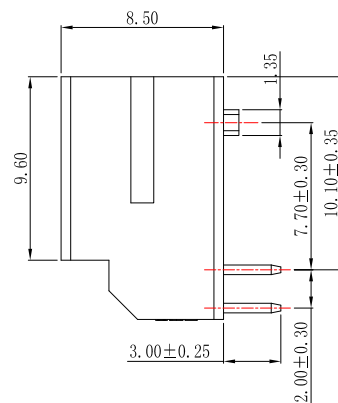
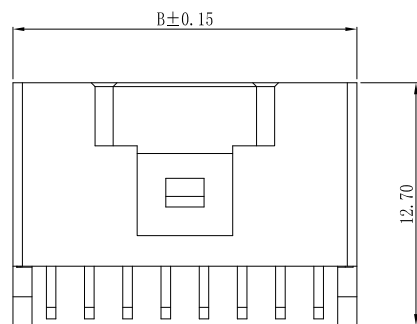


Specifications

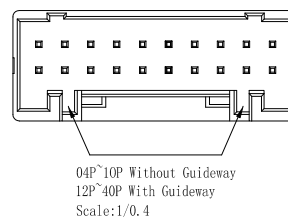
- Voltage rating: 250V AC/ DC
- Current rating: 3A AC/ DC
- Withstanding Voltage: 800V AC/minute.
- Insulation resistance: 1000MΩ Min.
- Temperature range: -25°C ~ +85°C
- Contact resistance: 20mΩ Max.

Wafer

- Material: PA46/PA66 UL 94V-0
- Pin: Brass/Tin-Plated



P. C. B LAYOUT



CKL	A	B	CKL	A	B
2*02	2.00	6.00	2*12	22.00	26.00
2*03	4.00	8.00	2*13	24.00	28.00
2*04	6.00	10.00	2*14	26.00	30.00
2*05	8.00	12.00	2*15	28.00	32.00
2*06	10.00	14.00	2*16	30.00	34.00
2*07	12.00	16.00	2*17	32.00	36.00
2*08	14.00	18.00	2*18	34.00	38.00
2*09	16.00	20.00	2*19	36.00	40.00
2*10	18.00	22.00	2*20	38.00	42.00
2*11	20.00	24.00			

Version		Content of change		Date	Signature	<table border="1"> <tr><th colspan="2">GENERAL TOLERANCE</th></tr> <tr><td>0</td><td>±0.35</td></tr> <tr><td>.0</td><td>±0.30</td></tr> <tr><td>.00</td><td>±0.20</td></tr> <tr><td>.000</td><td>±0.10</td></tr> </table>		GENERAL TOLERANCE		0	±0.35	.0	±0.30	.00	±0.20	.000	±0.10	Unit	mm	Scale	1:1	Date	20220123	Approved by	LI	Check	CLYDE	Design	LU	Standard	2.0mm DIP 90° WAFER
GENERAL TOLERANCE																															
0	±0.35																														
.0	±0.30																														
.00	±0.20																														
.000	±0.10																														
																P/N	JVT2060WXX-2*XXSNRP-D														
																Map title	031	Version	A0												

