

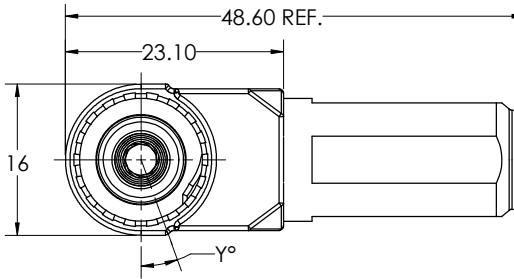
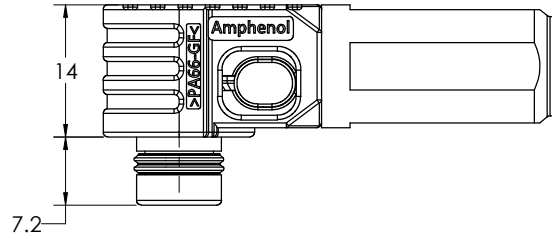
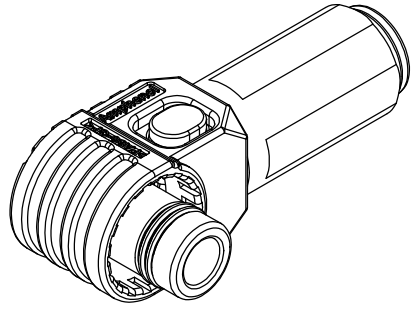
GENERAL TOLERANCE

DIM. RANGE	0 - 3	>3-6	>6-30	>30-120	>120-400
TOLERANCE	±0.1	±0.1	±0.2	±0.3	±0.5

CUSTOMER DRAWING



REVISION			
ZONE	REV.	DESCRIPTION	DATE
ALL	A	INITIAL RELEASE	2018-09-20
ALL	B	UPDATE MODEL	2019-11-19
ALL	C	UPDATE DIM&MODEL UPDATE KEY NUMBER ADD NOTE 4	2020-03-26
C2,B2	D	ADD CODE NUMBER	2020-06-26
C2,B2	E	UPDATE CODE NUMBER CANCEL 45D KEYWAY UPDATE OPERATING VOLTAGE	2020-07-31

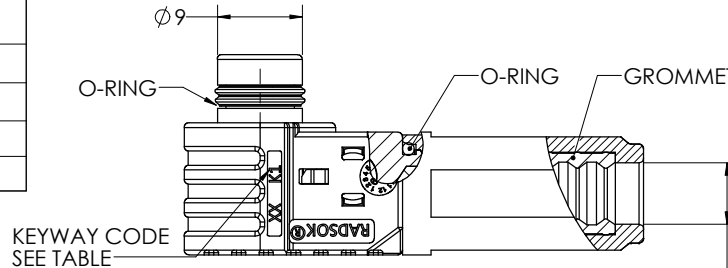


(E)

KEYWAY (Y°)	KEYWAY CODE
20°	K1
30°	K2

(E)

SPECIFICATIONS	
CURRENT RATING	70A MAX. FOR 10MM ² 50A MAX. FOR 6MM ²
OPERATING VOLTAGE	1500V DC
OPERATING TEMPERATURE	-40°C~125°C
CONTACT RESISTANCE	0.5mΩ MAX.
PROTECTION CLASS	IP67(MATED)



CABLE O.D. RANGE
4.8±0.2MM FOR 6MM²
6.25±0.2MM FOR 10MM²

MFG NUMBER DESCRIPTION: C10-754726-() () () ()

COLOR
WIRE SIZE
SEALING
KEYWAY

(E) CODE NUMBER: SLPHPM () B () () ()

WIRE SIZE
SEALING
COLOR
KEYWAY

ITEM	OPTION	CODE NUMBER	MFG NUMBER
COLOR	ORANGE	O	0
	BLACK	B	1
	RED	R	2
WIRE SIZE	6 SQMM CRIMPING	06	0
	10 SQMM CRIMPING	10	1
SEALING	IP67(MATED)	S	0
	NO SEALING	N	1
KEYWAY (Y°)	20°	1	1
	30°	2	2

4. THE BENDING RADIUS OF CABLE SHOULD BE GREATER THAN 5 TIMES OF APPLIED CABLE OD. THE CABLE SHOULD KEEP STRAIGHT GREATER THAN 20MM FROM THE REAR END OF PLUG.

3. THERE WILL BE SUPPLIED A PRE-ASSEMBLED CRIMP REDUCER FOR 6MM² WIRE SIZE.

2. IF CHOOSE NO SEALING TYPE, THERE WILL BE NO GASKET AND O-RING AND GROMMET.

1. THE REFERENCED PRODUCT SHALL BE COMPLIANT TO RoHS DIRECTIVE.

NOTES:

THIS DOCUMENT CONTAINS PROPRIETARY INFORMATION AND SUCH INFORMATION MAY NOT BE DISCLOSED TO OTHERS FOR ANY PURPOSE OR USED FOR MANUFACTURING PURPOSES WITHOUT WRITTEN PERMISSION FROM THE AMPHENOL CORP.

UNLESS OTHERWISE SPECIFIED	APPROVALS		DATE
LINEAR DIMENSIONS ARE IN: MILLIMETERS TOLERANCES: ANGLES= ±2° DEFAULT LINEAR TOLERANCES SEE TABLE	PREPARED BY:	THOR YAN	2019-11-19
	ENGINEER IN CHANGE:	THOR YAN	
	DESIGN MANAGER:	ROB WENG	
DIM. & TOL. PER ASME Y14.5M-1994; DRM PER MIL-DTL-31000; OTHER AMPHENOL STANDARDS: 9-3800	PRODUCT GROUP:	C&I	
LEGENDS: =FLAG NOTE CALL OUT REFERENCE THIRD ANGLE PROJECTION	AIPG DIVISION:		
	MATERIAL SPEC	PROCESS SPEC	
	N/A	N/A	

AMPHENOL INDUSTRIAL OPERATIONS
Amphenol Technology (Zhuhai) Co., Ltd
No.63, Xinghan Road, Sanzao Town, Jinwan, Zuhai, PRC

3.6MM SURLOK PLUS PLUG

SIZE	CAGE CODE	DOCUMENT NUMBER	REV
C	77820	10-754726-()	E

SCALE: 2.5:1 REF: 10-730186-() SHEET 1 OF 1