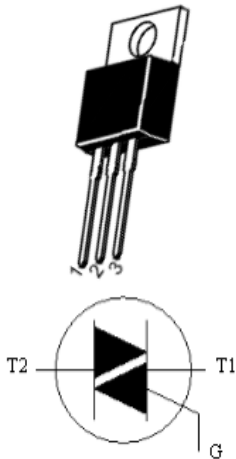


Model : BT136

Shape: TO-220AB

Product Name: Two-way Thyrics

Outline of TO-220AB



Polarity: T1: Main terminal 1 T2: main terminal 2 g : trigger pole

Uses: heating controller; dimming/speed controller; color light controller; automatic mahjong machine; mixer; juice machine; bread machine and other household appliances.

Main parameters (Tj=25°C)

Project	Symbol	Rated value	Unit
Plug-in average current	IT (RMS)	4	A
Off-state/reverse repeat voltage	VDRM/VRRM	≥600	V
On-state surge current	ITSM	25	A

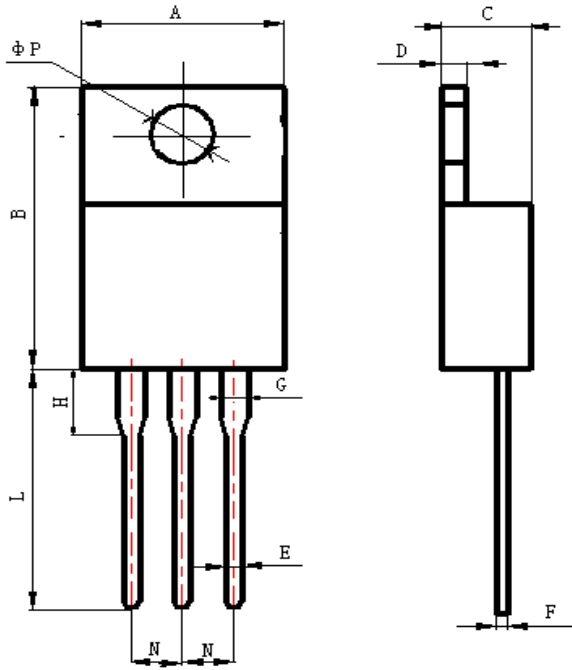
Limit range (TA=25°C unless otherwise specified)

Project	Symbol	Rated value	Unit
On-state square mean-root current (complete sine wave)	IT (RMS)	4	A
On-state no repeat surge current	ITSM	25	A
Control pole peak dissipative current	IGM	2	A
Control pole peak dissipated power	PGM	5	W
Control pole average dissipated power	PG (AV)	0.5	W
Storage temperature	Tstg	-40~150	°C
Knot temperature	Tj	125	°C

Electrical parameter characteristics (TA=25°C unless otherwise specified)

Parameter		Symbol	Test condition	Mini	Max	Unit
Control pole triggers current	I	IGT	T2(+), G(+)	Vd=12v IT=0.1A	10	mA
	II		T2(+), G(-)		10	mA
	III		T2(-), G(-)		10	mA
	IV		T2(-), G(+)		15	mA
Maintain current	IH	IT=100mA IG=20mA		20	mA	
On-state voltage	VTM	IT=5A		1.7	V	
Off-state repeating peak current	IDRM	VDRM=620V		10	uA	
Reverse repeat peak current	IRRM	VRRM=620V		10	uA	
Gate trigger voltage	I	VGT	T2(+), G(+)	Vd=12v	1.45	V
	II		T2(+), G(-)		1.45	V
	III		T2(-), G(-)		1.45	V
	IV		T2(-), G(+)		1.45	V

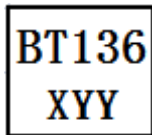
Outline dimensional drawing



单位: mm

Project	Norm(mm)	
	MIN	MAX
A	10.15	10.2
B	14.9	15.5
C	4.5	4.7
D	1.27	1.35
E	0.65	0.85
F	0.4	0.5
G	1.26	1.29
H	3.32	3.78
L	13.67	14.67
N	2.24	2.54
phi P	3.84	3.87

Imprinting



"BT136 "is the product model
 "X" is the yearly code and "
 YY" is the monthly code