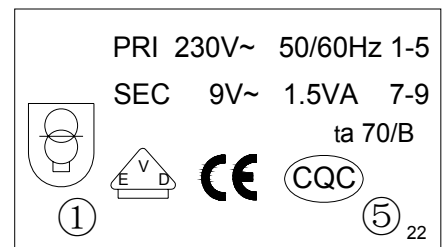
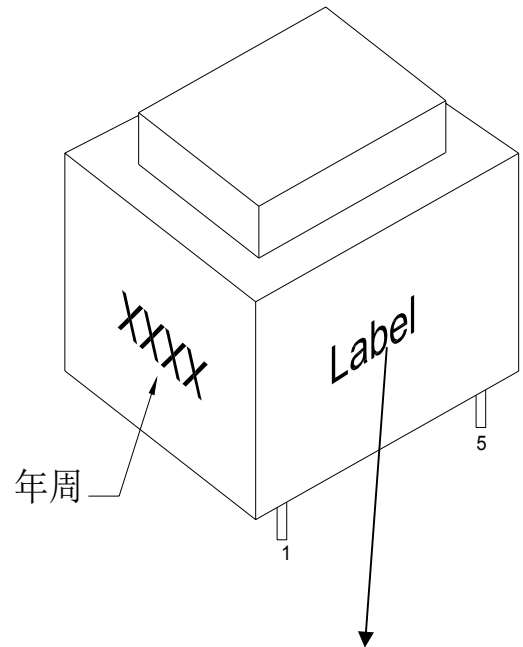
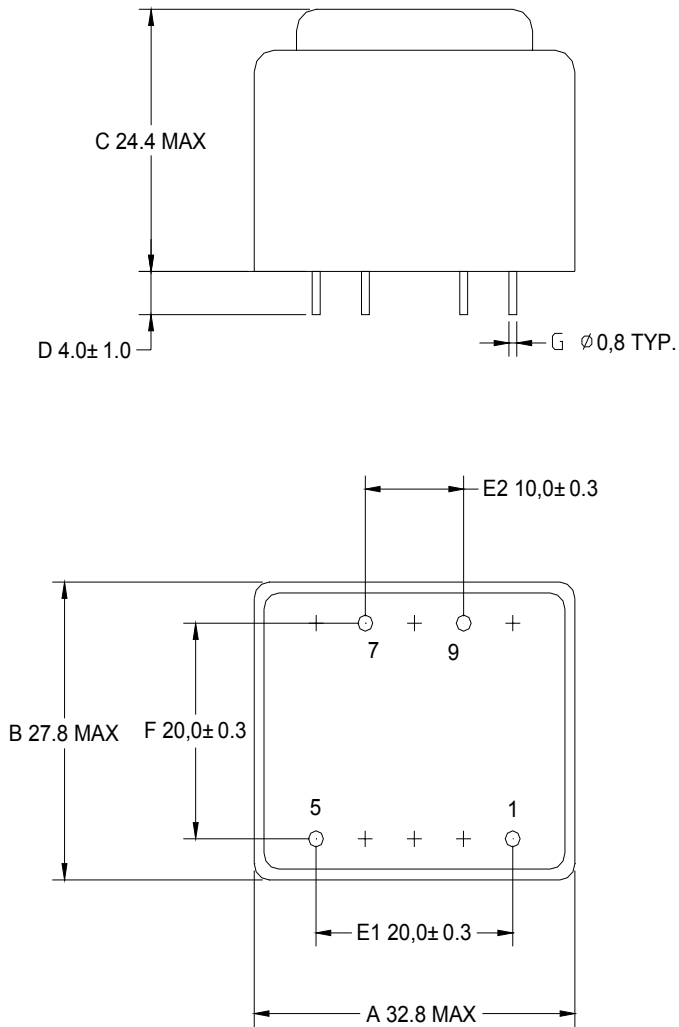


# TR Z01.50/09b II W

## Outline Drawing

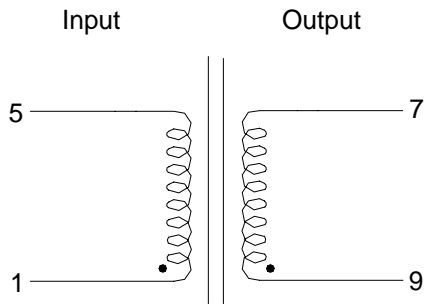
Physical Dimension (UNIT: mm)



## TR Z01.50/09b II W

### Electical Performance

#### 2、Electrical Schematic:



#### 3、Electrical Specification:

ITEM	TERMINAL	SPECIFICATION	TEST CONDITION	TEST INSTRUMENTS
EXCITATION CURRENT (mA)	1--5	12 MAX	Input: (1--5) 230V /50Hz	GDW 4033A
LOSS POWER (W)	1--5	0.9 MAX		
Load Voltage (VAC)	7--9	9.3 ±10% @ 167mA		
No-Load Voltage (VAC)	7--9	14.5 Max		
RESISTANCE (Ω)	1--5	3000 ±10%	Ta=25° C	TH2512B
	7--9	15 ±15%		
INSULATION RESISTANCE	P--S	100MΩ MIN	DC500V /1min	CS5603
HI-POT	P--S	4200Vac 1mA 1s	50Hz	

#### 4、TEMPERATURE RISE TEST: (Ta=25°C INPUT 230V 50Hz)

PRI. & SEC. WINDING'S TEMPERATURE RISE 45°C MAX. AT RATED LOAD. (RESISTANCE METHOD)

25°C, 45°C

#### 5、Net Weight: 80 g/PCS