

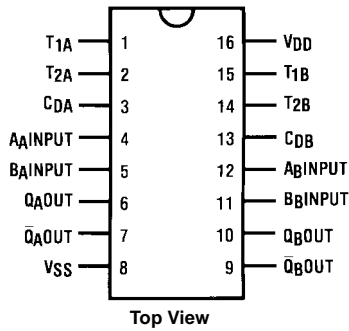
General Description

The XD4538 is a dual, precision monostable multivibrator with independent trigger and reset controls. The device is retriggerable and resettable, and the control inputs are internally latched. Two trigger inputs are provided to allow either rising or falling edge triggering. The reset inputs are active LOW and prevent triggering while active. Precise control of output pulse-width has been achieved using linear CMOS techniques. The pulse duration and accuracy are determined by external components R_X and C_X . The device does not allow the timing capacitor to discharge through the timing pin on power-down condition. For this reason, no external protection resistor is required in series with the timing pin. Input protection from static discharge is provided on all pins.

Features

- Wide supply voltage range: 3.0V to 15V
- High noise immunity: 0.45 V_{CC} (typ.)
- Low power TTL compatibility:
Fan out of 2 driving 74L or 1 driving 74LS

Connection Diagram

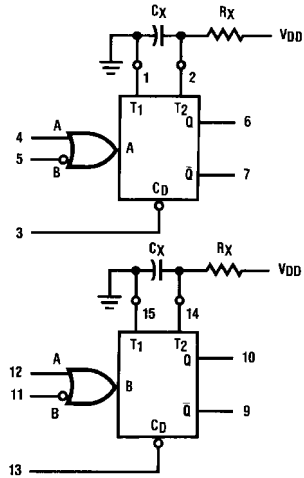


Truth Table

Clear	Inputs		Outputs	
	A	B	Q	\bar{Q}
L	X	X	L	H
X	H	X	L	H
X	X	L	L	H
H	L	↓	⎓	⎓
H	↑	H	⎓	⎓

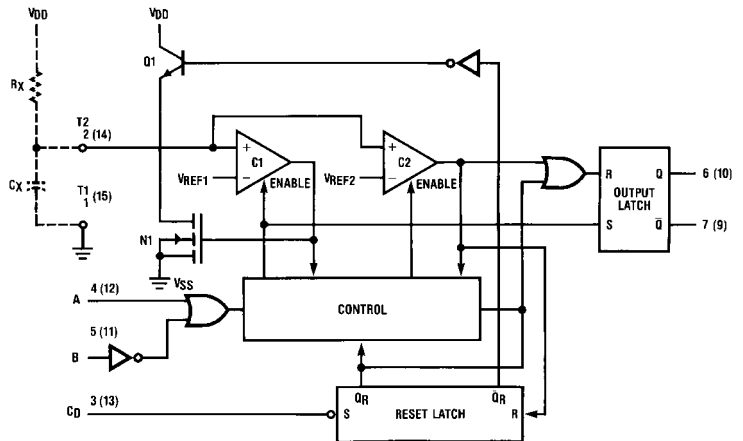
H = HIGH Level
L = LOW Level
↑ = Transition from LOW-to-HIGH
↓ = Transition from HIGH-to-LOW
⎓ = One HIGH Level Pulse
⎓ = One LOW Level Pulse
X = Irrelevant

Block Diagram

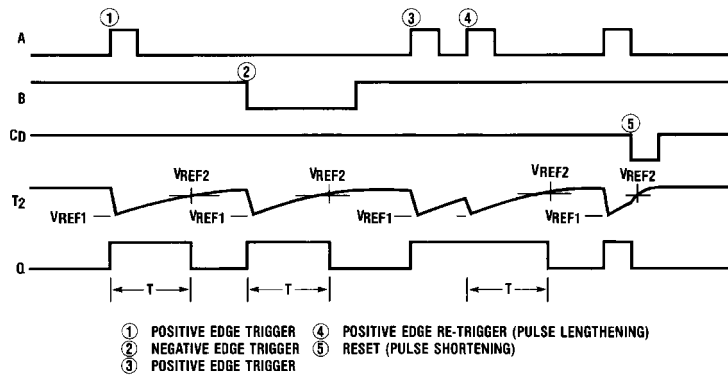


R_X and C_X are External Components
 V_{DD} = Pin 16
 V_{SS} = Pin 8

Logic Diagram



Theory of Operation



Trigger Operation

with circuit operation following. before an input trigger occurs, the monostable is in the quiescent state with the Q output low, and the timing capacitor C_X completely charged to V_{DD} . When the trigger input A goes from V_{SS} to V_{DD} (while inputs B and C_D are held to V_{DD}) a valid trigger is recognized, which turns on comparator C1 and N-Channel transistor N1⁽¹⁾. At the same time the output latch is set. With transistor N1 on, the capacitor C_X rapidly discharges toward V_{SS} until V_{REF1} is reached. At this point the output of comparator C1 changes state and transistor N1 turns off. Comparator C1 then turns off while at the same time comparator C2 turns on. With transistor N1 off, the capacitor C_X begins to charge through the timing resistor, R_X , toward V_{DD} . When the voltage across C_X equals V_{REF2} , comparator C2 changes state causing the output latch to reset (Q goes low) while at the same time disabling comparator C2. This ends the timing cycle with the monostable in the quiescent state, waiting for the next trigger.

A valid trigger is also recognized when trigger input B goes from V_{DD} to V_{SS} (while input A is at V_{SS} and input C_D is at V_{DD})⁽²⁾.

It should be noted that in the quiescent state C_X is fully charged to V_{DD} , causing the current through resistor R_X to be zero. Both comparators are "off" with the total device current due only to reverse junction leakages. An added feature of the XD4538 is that the output latch is set via the input trigger without regard to the capacitor voltage.

Thus, propagation delay from trigger to Q is independent of the value of C_X , R_X , or the duty cycle of the input waveform.

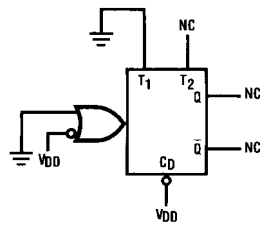
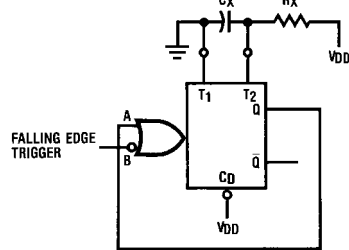
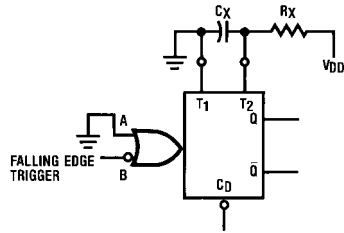
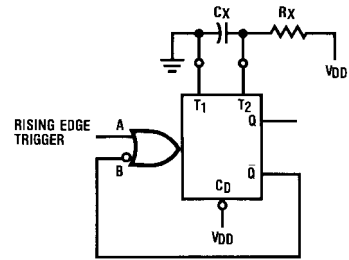
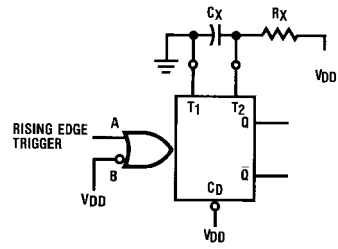
Retrigger Operation

The XD4538 is retriggered if a valid trigger occurs⁽³⁾ followed by another valid trigger⁽⁴⁾ before the Q output has returned to the quiescent (zero) state. Any retrigger, after the timing node voltage at pin 2 or 14 has begun to rise from V_{REF1} , but has not yet reached V_{REF2} , will cause an increase in output pulse width T. When a valid retrigger is initiated⁽⁴⁾, the voltage at T2 will again drop to V_{REF1} before progressing along the RC charging curve toward V_{DD} . The Q output will remain high until time T, after the last valid retrigger.

Reset Operation

The XD4538 may be reset during the generation of the output pulse. In the reset mode of operation, an input pulse on C_D sets the reset latch and causes the capacitor to be fast charged to V_{DD} by turning on transistor Q1⁽⁵⁾. When the voltage on the capacitor reaches V_{REF2} , the reset latch will clear and then be ready to accept another pulse. If the C_D input is held low, any trigger inputs that occur will be inhibited and the Q and \bar{Q} outputs of the output latch will not change. Since the Q output is reset when an input low level is detected on the C_D input, the output pulse T can be made significantly shorter than the minimum pulse width specification.

XD4538 DIP16



XD4538 DIP16

Absolute Maximum Ratings (Note 1)

(Note 2)

DC Supply Voltage (V_{DD})	-0.5 to +18 V_{DC}
Input Voltage (V_{IN})	-0.5V to $V_{DD} + 0.5 V_{DC}$
Storage Temperature Range (T_S)	-65°C to +150°C
Power Dissipation (P_D)	
Dual-In-Line	700 mW
Small Outline	500 mW
Lead Temperature (T_L)	
(Soldering, 10 seconds)	260°C

Recommended Operating Conditions (Note 2)

DC Supply Voltage (V_{DD})	3 to 15 V_{DC}
Input Voltage (V_{IN})	0 to $V_{DD} V_{DC}$
Operating Temperature Range (T_A)	-55°C to +125°C

Note 1: "Absolute Maximum Ratings" are those values beyond which the safety of the device cannot be guaranteed, they are not meant to imply that the devices should be operated at these limits. The tables of "Recommended Operating Conditions" and "Electrical Characteristics" provide conditions for actual device operation.

Note 2: $V_{SS} = 0V$ unless otherwise specified.

DC Electrical Characteristics (Note 2)

Symbol	Parameter	Conditions	-55°C		+25°C			+125°C		Units
			Min	Max	Min	Typ	Max	Min	Max	
I_{DD}	Quiescent Device Current	$V_{DD} = 5V$ $V_{IH} = V_{DD}$		20		0.005	5		150	μA
		$V_{DD} = 10V$ $V_{IL} = V_{SS}$		40		0.010	10		300	
		$V_{DD} = 15V$ All Outputs Open		80		0.015	20		600	
V_{OL}	LOW Level Output Voltage	$V_{DD} = 5V$ $ I_{OL} < 1 \mu A$		0.05		0	0.05		0.05	V
		$V_{DD} = 10V$ $V_{IH} = V_{DD}$, $V_{IL} = V_{SS}$		0.05		0	0.05		0.05	
		$V_{DD} = 15V$		0.05		0	0.05		0.05	
V_{OH}	HIGH Level Output Voltage	$V_{DD} = 5V$ $ I_{OL} < 1 \mu A$	4.95		4.95	5		4.95		V
		$V_{DD} = 10V$ $V_{IH} = V_{DD}$, $V_{IL} = V_{SS}$	9.95		9.95	10		9.95		
		$V_{DD} = 15V$	14.95		14.95	15		14.95		
V_{IL}	LOW Level Input Voltage	$ I_{OL} < 1 \mu A$								V
		$V_{DD} = 5V$, $V_O = 0.5V$ or $4.5V$		1.5		2.25	1.5		1.5	
		$V_{DD} = 10V$, $V_O = 1.0V$ or $9.0V$		3.0		4.50	3.0		3.0	
V_{IH}	HIGH Level Input Voltage	$ I_{OL} < 1 \mu A$								V
		$V_{DD} = 5V$, $V_O = 0.5V$ or $4.5V$	3.5		3.5	2.75		3.5		
		$V_{DD} = 10V$, $V_O = 1.0V$ or $9.0V$	7.0		7.0	5.50		7.0		
I_{OL}	LOW Level Output Current <small>(Note 3)</small>	$V_{DD} = 5V$, $V_O = 0.4V$ $V_{IH} = V_{DD}$	0.64		0.51	0.88		0.36		mA
		$V_{DD} = 10V$, $V_O = 0.5V$ $V_{IL} = V_{SS}$	1.6		1.3	2.25		0.9		
		$V_D = 15V$, $V_O = 1.5V$	4.2		3.4	8.8		2.4		
I_{OH}	HIGH Level Output Current <small>(Note 3)</small>	$V_{DD} = 5V$, $V_O = 4.6V$	-0.6		-0.51	-0.88		-0.36		mA
		$V_{DD} = 10V$, $V_O = 9.5V$ $V_{IL} = V_{SS}$	-1.6		-1.3	-2.25		-0.9		
		$V_D = 15V$, $V_O = 13.5V$	-4.2		-3.4	-8.8		-2.4		
I_{IN}	Input Current, Pin 2 or 14	$V_{DD} = 15V$, $V_{IN} = 0V$ or $15V$		± 0.02		$\pm 10^{-5}$	± 0.05		± 0.5	μA
I_{IN}	Input Current Other Inputs	$V_{DD} = 15V$, $V_{IN} = 0V$ or $15V$		± 0.1		$\pm 10^{-5}$	± 0.1		± 1.0	μA

Note 3: I_{OH} and I_{OL} are tested one output at a time.

XD4538 DIP16

AC Electrical Characteristics (Note 4)

$T_A = 25^\circ\text{C}$, $C_L = 50\text{ pF}$, and $t_r = t_f = 20\text{ ns}$ unless otherwise specified

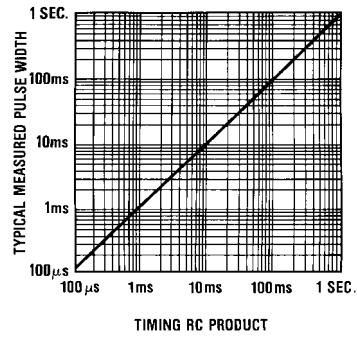
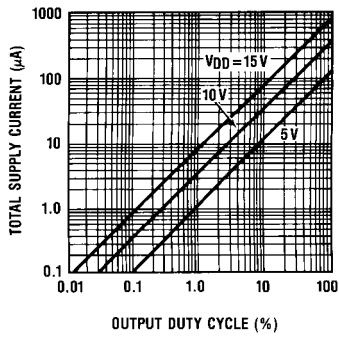
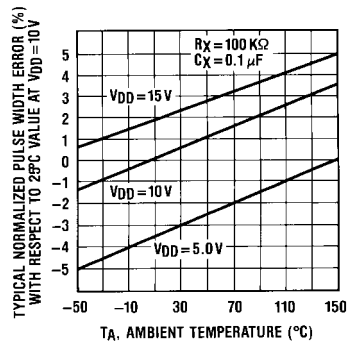
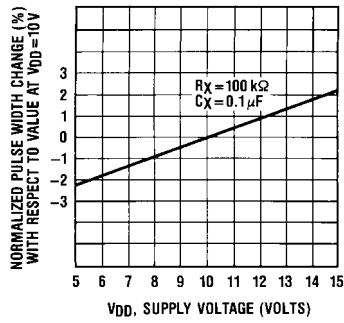
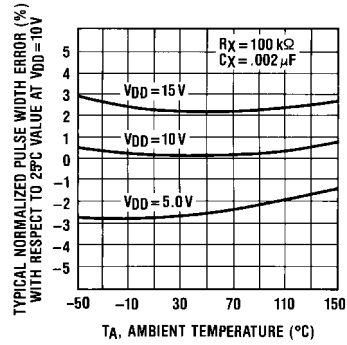
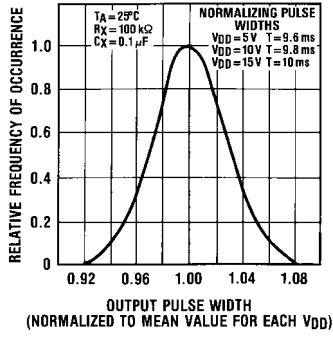
Symbol	Parameter	Conditions	Min	Typ	Max	Units
t_{TLH}, t_{THL}	Output Transition Time	$V_{DD} = 5\text{V}$ $V_{DD} = 10\text{V}$ $V_{DD} = 15\text{V}$		100 50 40	200 100 80	ns
t_{PLH}, t_{PHL}	Propagation Delay Time	Trigger Operation— A or B to Q or \bar{Q} $V_{DD} = 5\text{V}$ $V_{DD} = 10\text{V}$ $V_{DD} = 15\text{V}$ Reset Operation— C_D to Q or \bar{Q} $V_{DD} = 5\text{V}$ $V_{DD} = 10\text{V}$ $V_{DD} = 15\text{V}$		300 150 100 250 125 95	600 300 220 500 250 190	ns
t_{WL}, t_{WH}	Minimum Input Pulse Width A, B, or C_D	$V_{DD} = 5\text{V}$ $V_{DD} = 10\text{V}$ $V_{DD} = 15\text{V}$		35 30 25	70 60 50	ns
t_{RR}	Minimum Retrigger Time	$V_{DD} = 5\text{V}$ $V_{DD} = 10\text{V}$ $V_{DD} = 15\text{V}$		0 0 0	0 0 0	ns
C_{IN}	Input Capacitance	Pin 2 or 14 Other Inputs		10 5	7.5	pF
PW_{OUT}	Output Pulse Width (Q or \bar{Q})	$R_X = 100\text{ k}\Omega$ $C_X = 0.002\text{ }\mu\text{F}$ $V_{DD} = 5\text{V}$ $V_{DD} = 10\text{V}$ $V_{DD} = 15\text{V}$ $R_X = 100\text{ k}\Omega$ $C_X = 0.1\text{ }\mu\text{F}$ $V_{DD} = 5\text{V}$ $V_{DD} = 10\text{V}$ $V_{DD} = 15\text{V}$ $R_X = 100\text{ k}\Omega$ $C_X = 10.0\text{ }\mu\text{F}$ $V_{DD} = 5\text{V}$ $V_{DD} = 10\text{V}$ $V_{DD} = 15\text{V}$	208 211 216 8.83 9.02 9.20 0.87 0.89 0.91	226 230 235 9.60 9.80 10.00 0.95 0.97 0.99	244 248 254 10.37 10.59 10.80 1.03 1.05 1.07	μs ms s
Pulse Width Match between Circuits in the Same Package $C_X = 0.1\text{ }\mu\text{F}$, $R_X = 100\text{ k}\Omega$		$R_X = 100\text{ k}\Omega$ $C_X = 0.1\text{ }\mu\text{F}$ $V_{DD} = 5\text{V}$ $V_{DD} = 10\text{V}$ $V_{DD} = 15\text{V}$		± 1 ± 1 ± 1		%
Operating Conditions						
R_X	External Timing Resistance		5.0		(Note 5)	k Ω
C_X	External Timing Capacitance		0		No Limit	pF

Note 4: AC parameters are guaranteed by DC correlated testing.

Note 5: The maximum usable resistance R_X is a function of the leakage of the Capacitor C_X , leakage of the XD4538, and leakage due to board layout, surface resistance, etc.

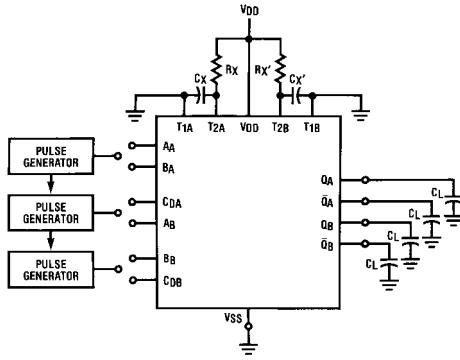
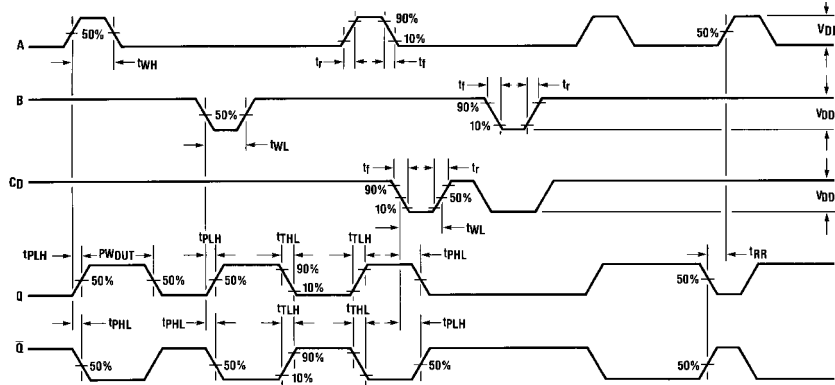
XD4538 DIP16

Typical Applications



XD4538 DIP16

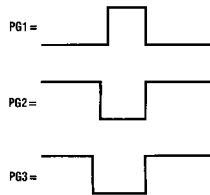
Test Circuits and Waveforms



* $C_L = 50 \text{ pF}$

Input Connections

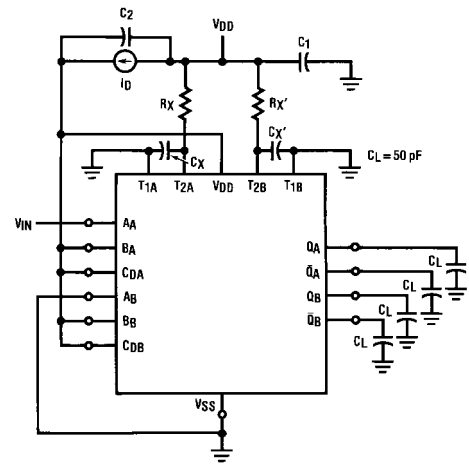
Characteristics	CD	A	B
t_{PLH} , t_{PHL} , t_{TLH} , t_{THL} PW_{OUT} , t_{WH} , t_{WL}	V_{DD}	PG1	V_{DD}
t_{PLH} , t_{PHL} , t_{TLH} , t_{THL} PW_{OUT} , t_{WH} , t_{WL}	V_{DD}	V_{SS}	PG2
$t_{PLH(R)}$, $t_{PHL(R)}$, t_{WH} , t_{WL}	PG3	PG1	PG2



*Includes capacitance of probes, wiring, and fixture parasitic

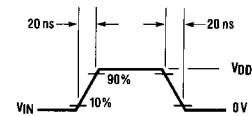
Test Circuits and Waveforms

(Continued)

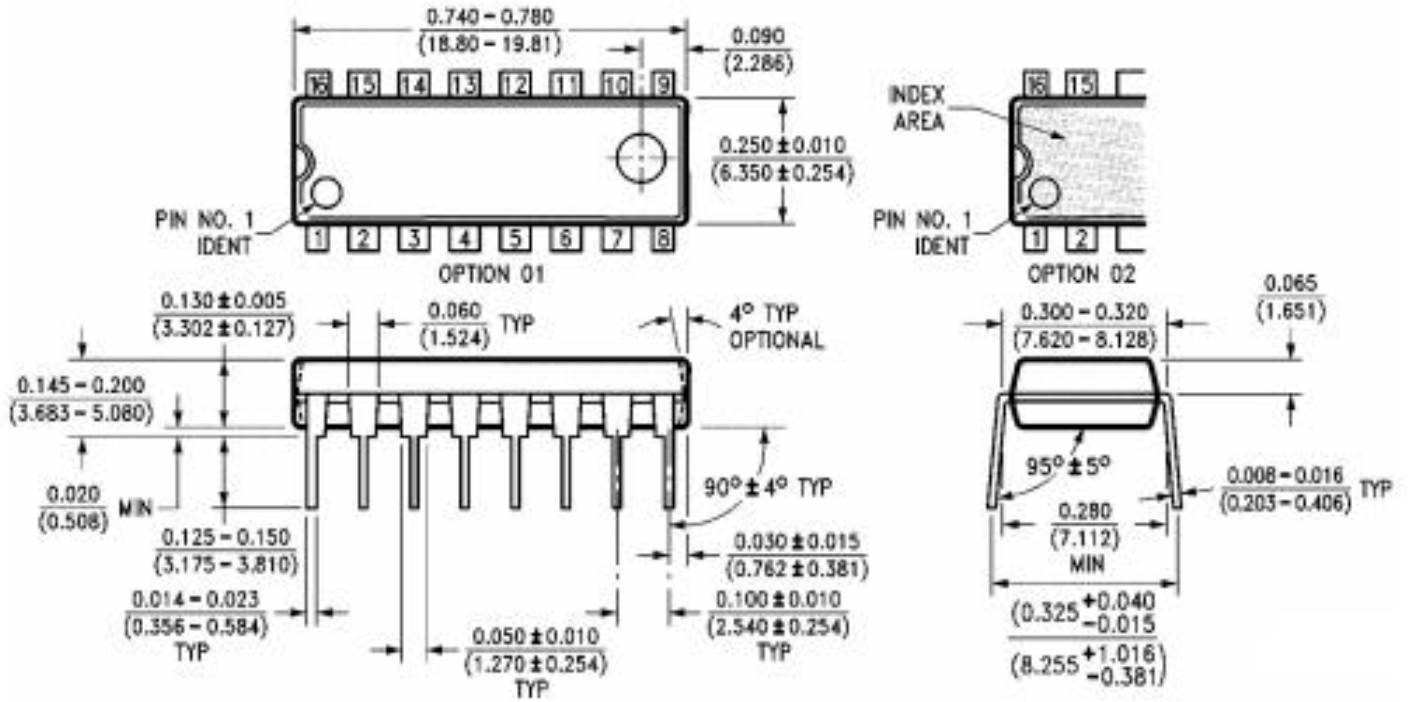


$R_X = R_{X'} = 100 \text{ k}\Omega$
 $C_X = C_{X'} = 100 \text{ pF}$
 $C_1 = C_2 = 0.1 \text{ }\mu\text{F}$

Duty Cycle = 50%



XD4538 DIP16



以上信息仅供参考. 如需帮助联系客服人员。谢谢 XINLUDA