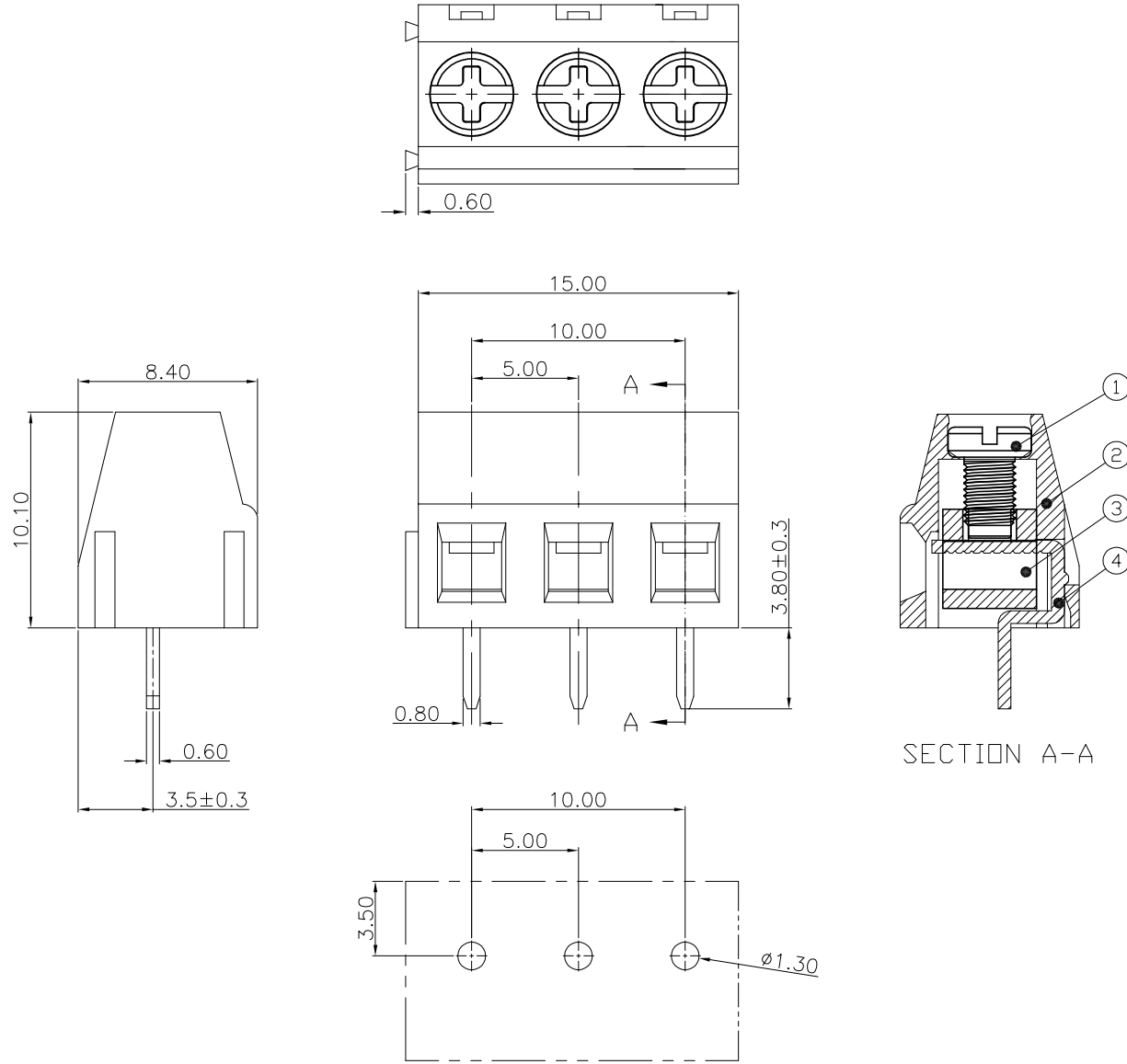


REV.	DESCRIPTION	DATE	DRAFTER	APPROVER
V1.0	DWG.REL	2023.5.11	ZHANG	JIN



- Material
 - ØScrew : M3.0 steel, Zinc plated, +/− slot type
 - ØHousing : PA66, UL94V-0
 - ØClamp : Copper alloy, Ni plated
 - ØPin header : Copper alloy, Tin plated
- Electrical

UL	IEC
Rated voltage : 300V	250V
Rated current : 12A	15A
Contact resistance : 20mΩ(Max)	
Insulation resistance: 500MΩ/DC500V	
Withstanding Voltage : AC2000V/1min	
Wire range: 26-14AWG 0.2-2.5mm ²	
- Mechanical
 - Operating temperature: -40°C ~ +105°C
 - Soldering temperature: 250°C ± 5/5sec
 - Torque: 0.5N.m (4.43Lb.in)
 - Strip length: 5-6mm

SECTION A-A

HOW TO ORDER
 KF127-5.0-XXP-1 X-XXXXX

MODEL Pitch:mm Customer Request

No.of poles: 2~24P

Color:
 G:Green R:Red
 K:Black W:White
 O:Orange B:Blue
 GR:Gray

1:Single Pitch
 2:Double Pitch

Pitch range		Nominal dimension range				PROJECTION	TITLE	KF127-5.0-3P-1G	
>0 ~6	>6 ~10	>10 ~24	>0 ~30	>30 ~60	>60 ~100	>100 ~150	>150	0.1/10	UNIT mm
±0.15	±0.20	±0.30	±0.30	±0.50	±0.70	±1.00	±1.30	±2'	SHEET SIZE A4
DRAWING TYPE		CUSTOMER DRAWING							
SCALE		1:1		SHEET		1 OF 1			
DRAWING NO.		W15002332							

DF 慈溪市凯峰电子有限公司
 CIXI KAIFENG ELECTRONICS CO.,LTD