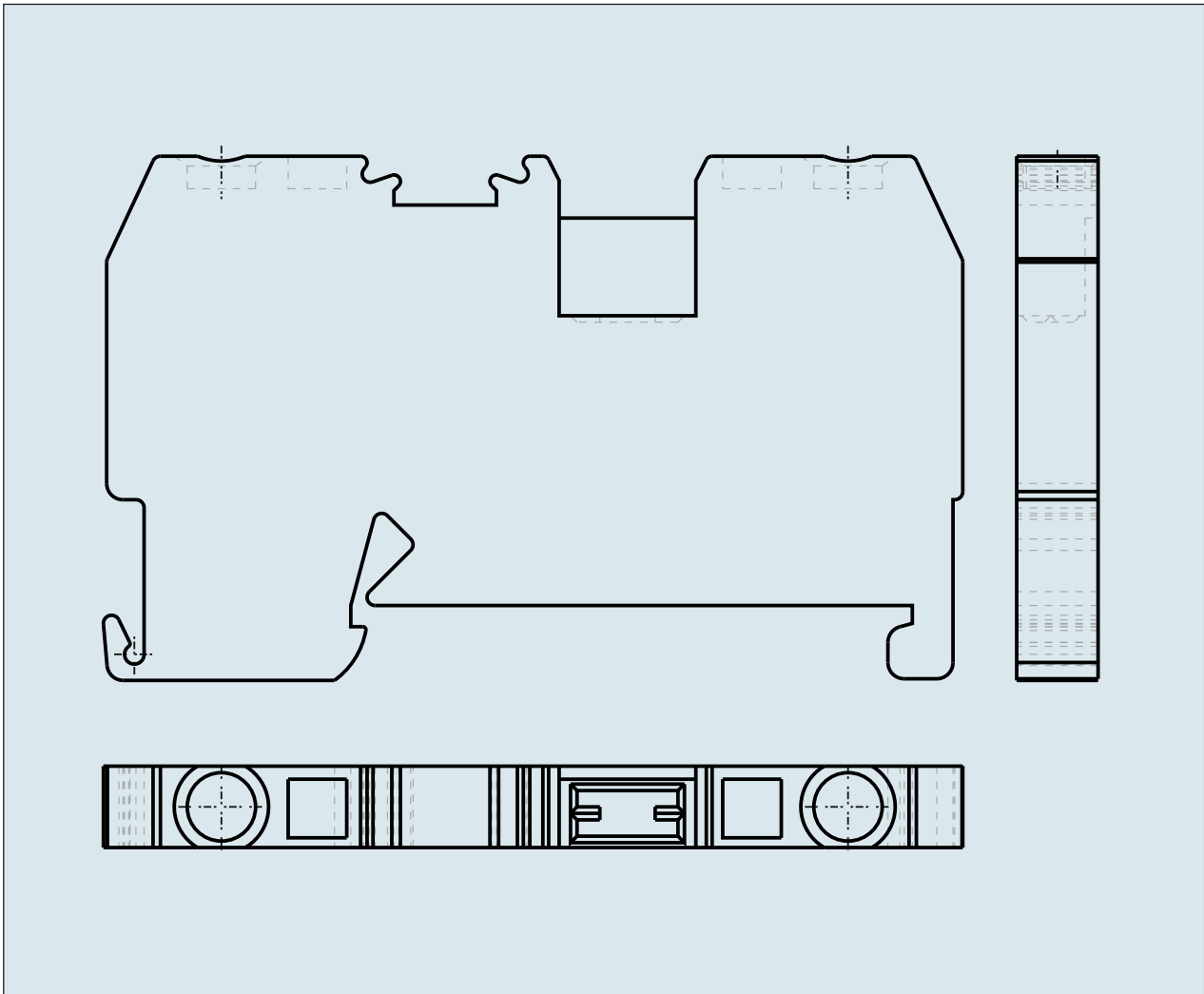
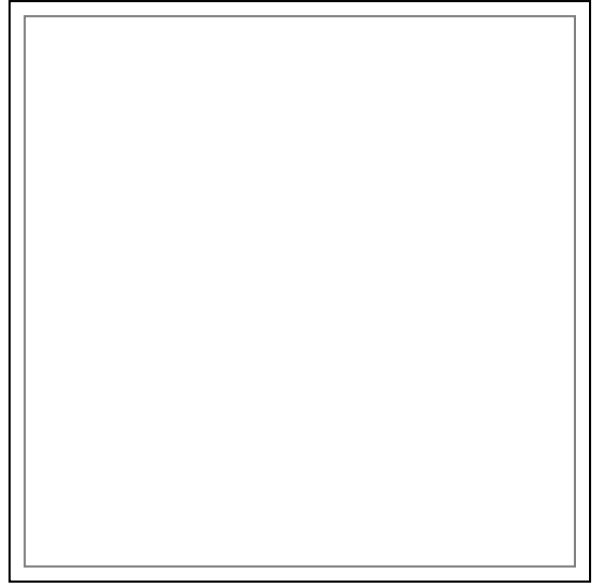
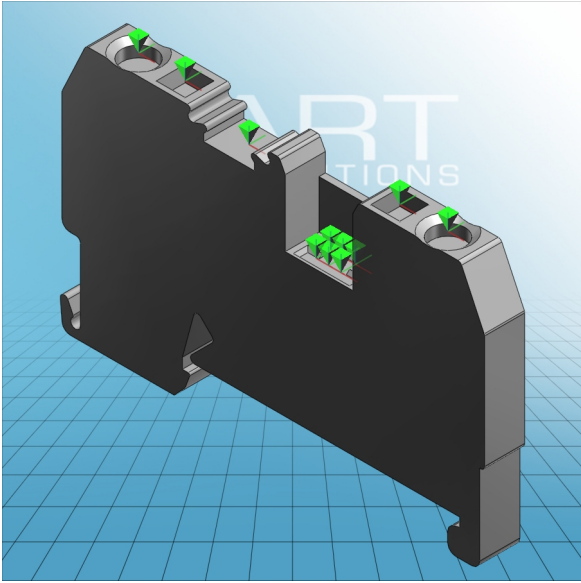




**2-CONDUCTOR THROUGH TERMINAL
BLOCK CENTRE MARKING for DIN 35
rail**
280-901





2-CONDUCTOR THROUGH TERMINAL BLOCK CENTRE MARKING for DIN 35 rail 280-901

ITEM-NO. (ITEM-NO.)	280-901
Cross section1 (Cross section / mm²)	0.08 - 2.5
Cross section2 (Cross section / AWG)	28 - 12
Strip length (Strip length / mm)	8 - 9
Measured voltage (Measured voltage / V)	800
Measured shock voltage (Measured shock voltage / kV)	8
Pollution degree (Pollution degree)	3
Current intensity (Current intensity / A)	24
Height (Height / mm)	28
Width (Width / mm)	5
Depth (Depth / mm)	53
No. of connection Points (No. of connection Points)	2
No. of potentials (No. of potentials)	1
COLOR (COLOR)	grau
WEIGHT (WEIGHT / g)	5.428
Comment (Comment)	