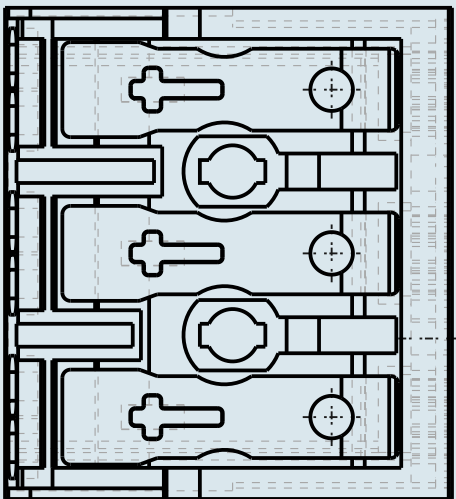
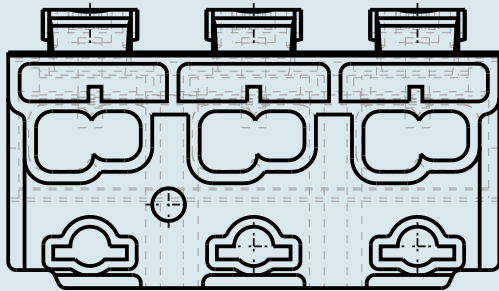
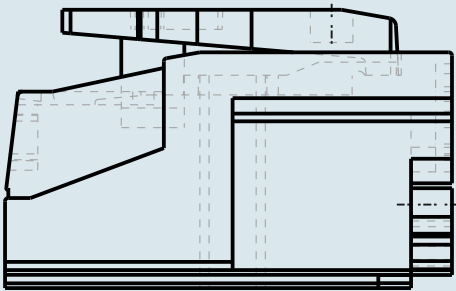
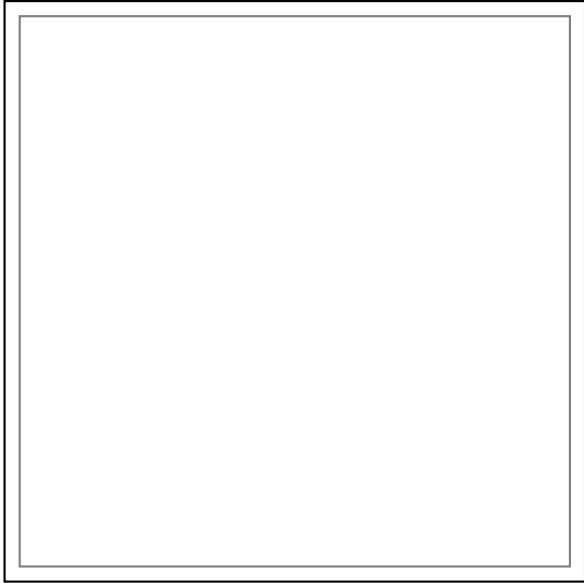
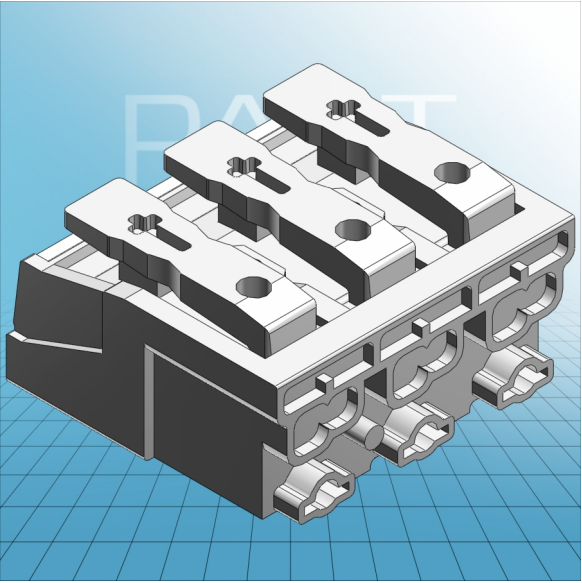




**Lighting Connector without ground
contact 3 pole without snap-in
mounting feet**
294-4003





**Lighting Connector without ground
contact 3 pole without snap-in
mounting feet
294-4003**

ITEM-NO. (ITEM-NO.)	294-4003
Cross section1 (Cross section / mm²)	3 x 0.5 - 2.5
Cross section2 (Cross section / AWG)	3 x 18 - 12
Strip length (Strip length / mm)	8 - 9
Measured voltage (Measured voltage / V)	500
Measured shock voltage (Measured shock voltage / kV)	4
Pollution degree (Pollution degree)	2
Current intensity (Current intensity / A)	24
P (NO. OF POLES)	3
Height (Height / mm)	17
Width (Width / mm)	30
Depth (Depth / mm)	27.3
COLOR (COLOR)	weiß
Comment (Comment)	ohne Aufdruck