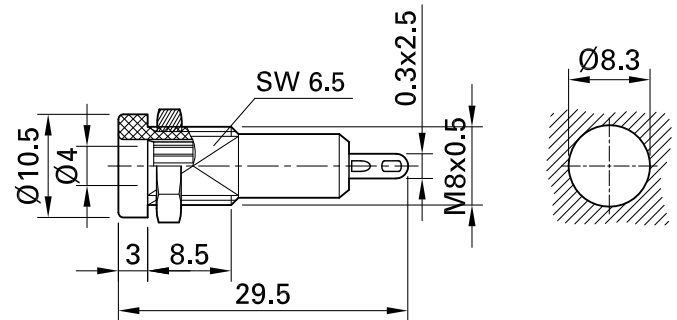


## LB-I4R-B



Item number 23.0450-\*

Insulated, Ø 4 mm, rigid. Rolled brass sheet. The socket can be screw-mounted in predrilled panels. Solder connection.

Technical data	
Diameter of plug system	4 mm
Rated Values	30 VAC, 25 A / 60 VDC, 25 A
Surface treatment electrical contact	Ni
Base material electrical contact	CuZn
Colours *	21 22 23 24 25 29
Test accessory acc. to	IEC EN 61010-031
Component parts	BI-LB-I4R-B; MU/M8x0,5