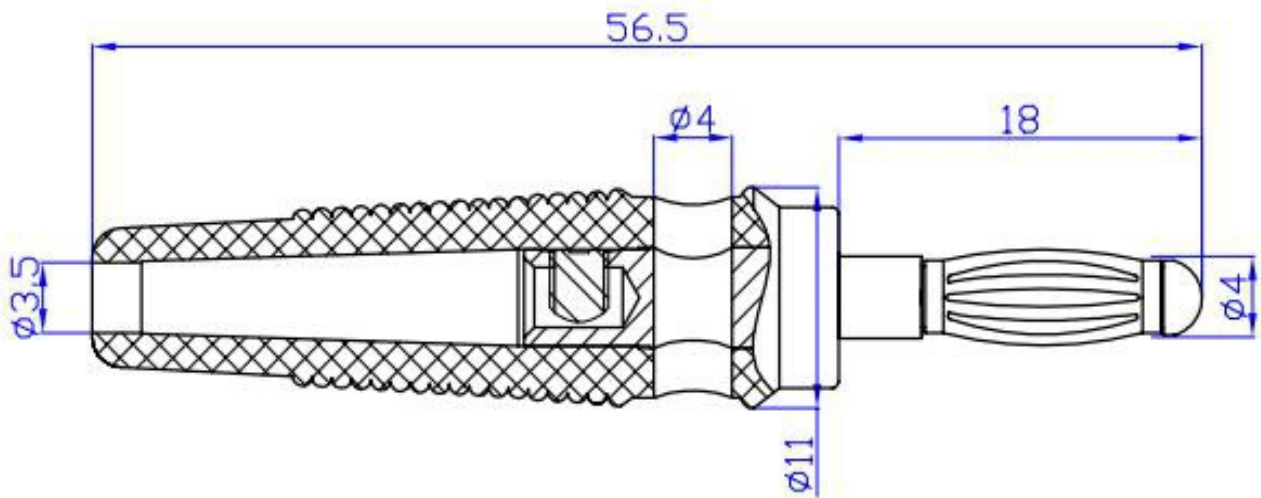


Z BW006B



Specification

Insulator	PVC
Body	Brass & Steel pin
Spring	Steel
Color	Black ●
Surface	Ni
Connection	Screw
Rated voltage/current	30Vac-60Vdc/Max.24A

