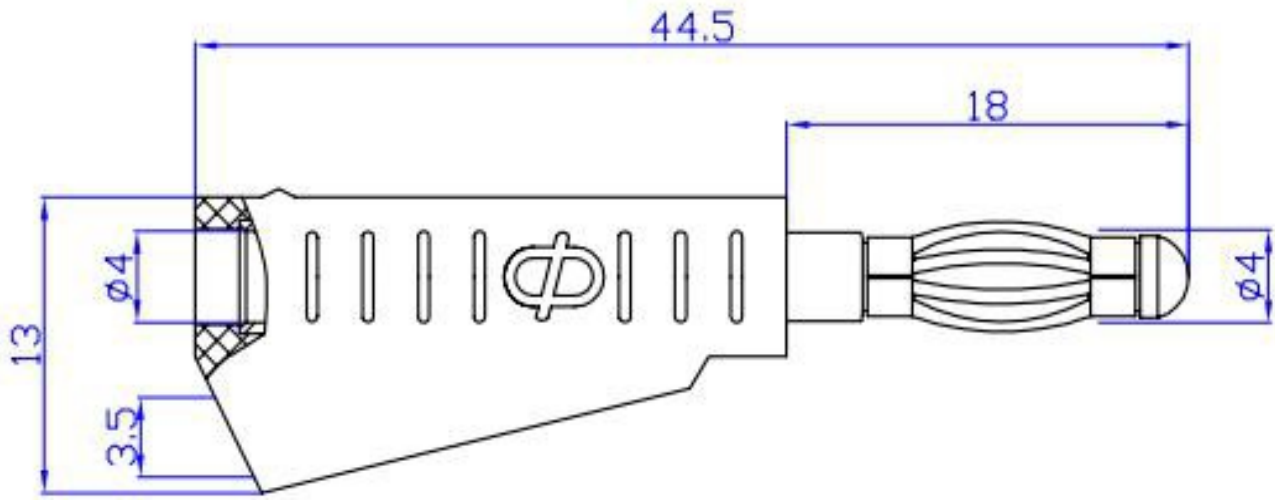


# Z BW011R



## Specification

Insulator	PE
Body	Brass&Steel pin
Spring	Steel
Color	Red ●
Surface	Ni
Connection	Solder
Rated voltage/current	30Vac-60Vdc/Max.19A