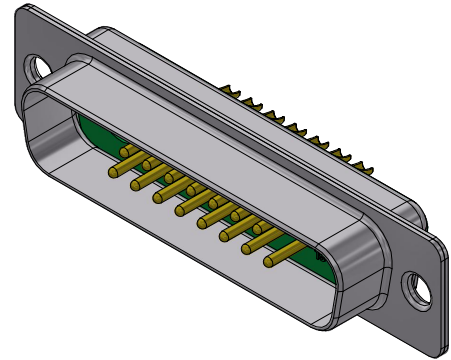
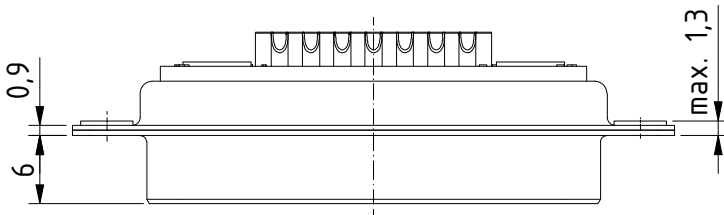
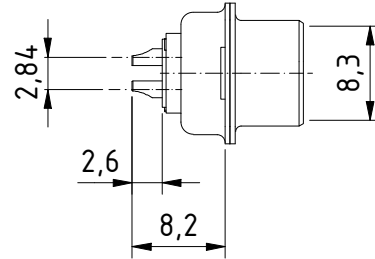
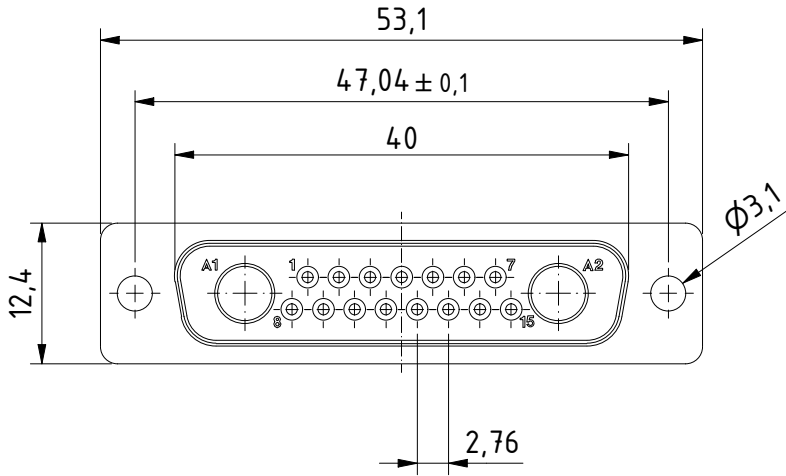


RoHS compliant



suitable for cable AWG 18 (single solid wire)

**MATERIALS**

- Insulator: Thermoplastic UL 94-V-0 green
- Contact: Machined / Copper alloy
- Contact finish: Quality class 2
- Shell: steel zinc blue chromated

**CHARAKTERISTICS**

- Test voltage: 1000VAC
- Current rating: 7.5A/xxA
- Contact resistance: according to IEC 60512
- Insulation resistance: >5GΩ
- Temperature range: -55° to +125°C

General tolerances (Deltron standard)			
size in mm	> 0.5	> 3	> 30
up to 3	up to 6	up to 30	up to 120
tolerances			
±0.1	±0.2	±0.2	±0.3

	All dimensions in mm	Rev.	Rev.	Rev.	DE006339 part no.
		Rev.	Rev.	Rev.	
DT17W2PZ/2				1.5:1 scale	drawn 27.04.2026 paw
					checked
CONNECTORS   CUSTOMIZED				Industrie Neuhof 8c CH-3422 Kirchberg www.d-sub.swiss	
				K066665 drawing no.	