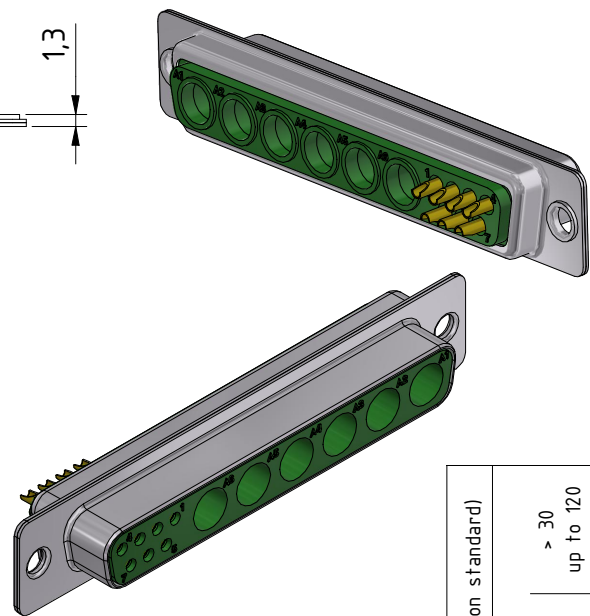
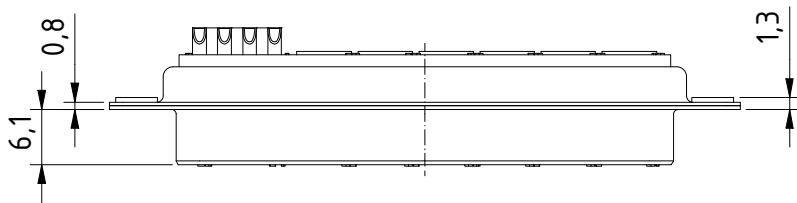
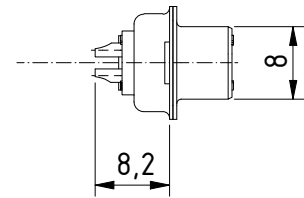
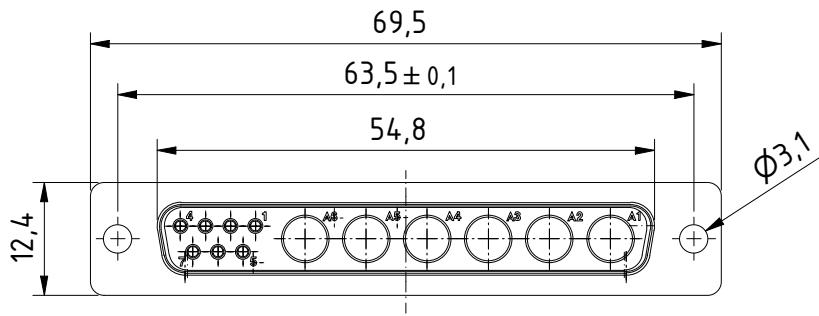


RoHS compliant



suitable for cable AWG 18 / 12 (single solid wire)

sealed - IP64

MATERIALS

- Insulator: Thermoplastic UL 94-V-0 green
- Contact: Machined / Copper alloy
- Contact finish: Quality class 2
- Shell: steel - zink blue chromated

CHARAKTERISTICS

- Test voltage: 1000VAC
- Current rating: 7.5A/*
- Contact resistance: according to IEC 60512
- Insulation resistance: >5GΩ
- Temperature range: -55° to +125°C

General tolerances (Deltron standard)	size in mm	> 30	> 6	> 3	> 0.5
		up to 120	up to 30	up to 6	up to 3
	tolerances	±0.3	±0.2	±0.2	±0.1

	All dimensions in mm	Rev.	Rev.	Rev.	DE013340		
		Rev.	Rev.	Rev.	part no.		
DT13W6SZ/2				1.2:1 scale	drawn	27.04.2026	paw
					checked		
				Industrie Neuhof 8c CH-3422 Kirchberg www.d-sub.swiss		K066667 drawing no.	