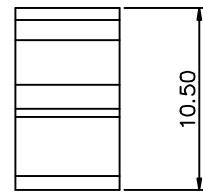
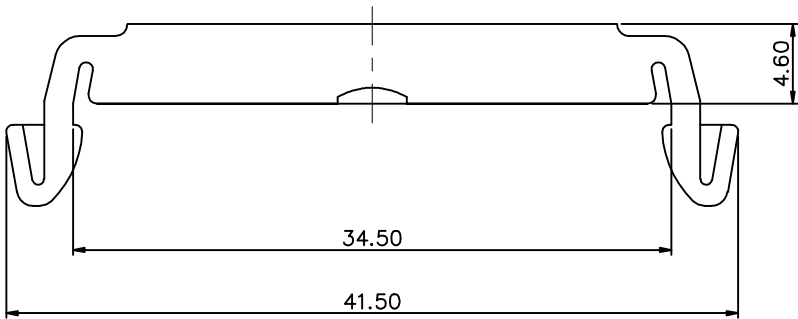
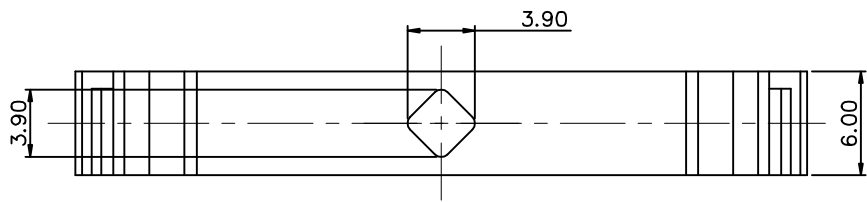


REVISION RECORD				
REV	ECN	DESCRIPTION	DRFT	DATE

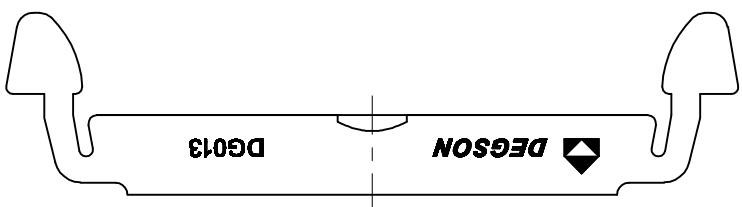
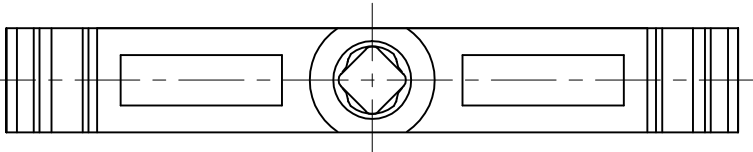
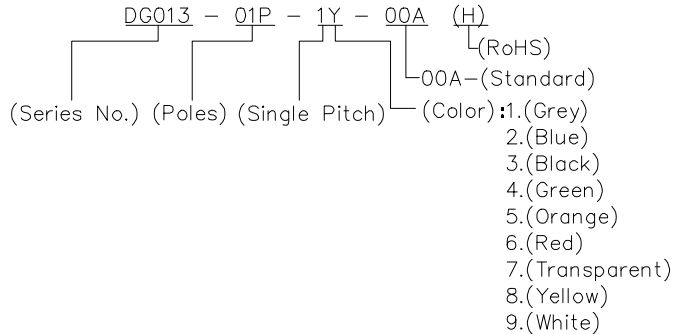


NOTES:

- 1.Dimension shall be interpreted per ASME Y14.5-2009
- 2.Poles : N=01P
- 3.Operating temperature: -40°C~+105°C
- 4.Undimensioned Tolerances:

Pitch Range In mm	Nominal Dimension Range In mm						-	∩	∇
	Over 6 TO 6	Over 10 TO 24	Over 30 TO 60	Over 60 TO 100	Over 100 TO 150	Over 150			
	±0.15	±0.20	±0.30	±0.30	±0.50	±0.70	±1.00	±1.30	±2'

5.RoHS Compliance



DETACHED LISTS	PART NO.:	宁波高松电子有限公司 DEGSON NINGBO DEGSON ELECTRICAL CO., LTD			
	APPD:	NAME: DG013-01P-1Y-00A(H)			
	CHKD:	TITLE: CUSTOMER DRAWING			
	DRFT:	REV	DO		
	THIRD ANGLE PROJECTION		DRAWING NO.:	SHEET	1/1
		MM (INCH)	DO NOT SCALE DRAWING	SCALE 1:1	