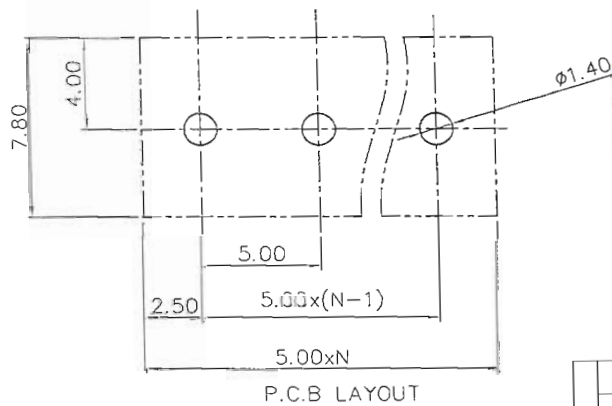
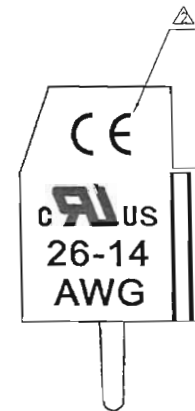
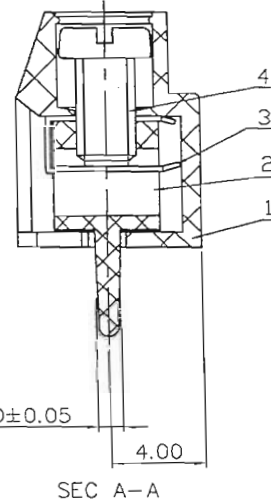
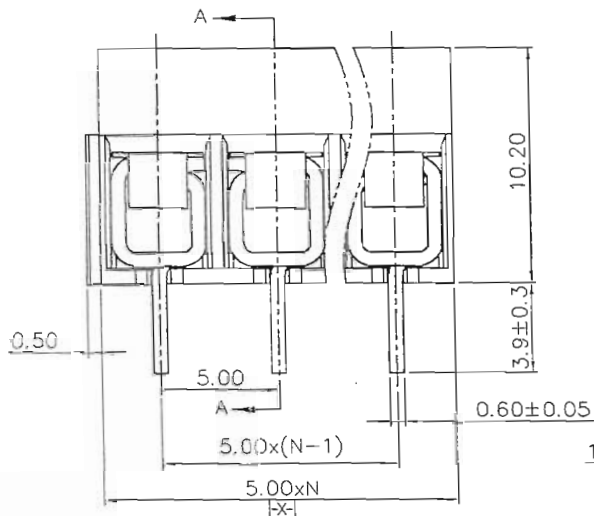
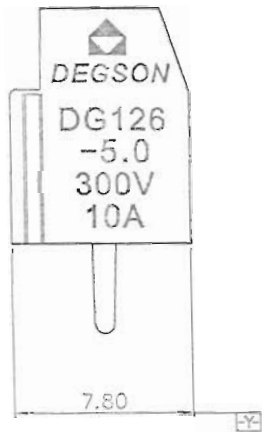


REVISION RECORD				
REV	ECN	DESCRIPTION	DRFT	DATE
△	12-0263	Drawing Revise	YHG	12/14/12*
△	14-0344	增加CE刻字和技术参数修订	SHB	09/28/14*



文管中心
 研发专用
 11.08
 (仅限内部使用, 对外无效)

- NOTES:
1. DIMENSION SHALL BE INTERPRETED PER ASME Y14.5-2009.
 2. PITCH: 5.0MM, POLES: 2-24P
 3. RATED VOLTAGE/CURRENT: UL 300V/10A IEC 250V/17.5A
 4. OPERATION TEMPERATURES: -40°C~+105°C
 5. WITHSTANDING VOLTAGE: AC2000V/1MIN
 6. INSULATION RESISTANCE: 5000Ω/DC1000V
 7. WIRE RANGE: 14~26AWG, 0.5~1.5MM²
 8. MAX. TORQUE VALUE: M2.5, 3.0KGF.CM
 9. UNDIMENSIONED TOLERANCES:

PITCH RANGE IN MM		NOMINAL DIMENSION RANGE IN MM					
TO	OVER	OVER	OVER	OVER	OVER		
6	10	30	60	100	150	OVER	
TO	TO	TO	TO	TO	TO	TO	TO
6	10	24	30	60	100	150	150
±0.10	±0.15	±0.25	±0.20	±0.30	±0.50	±0.70	±1.00, 0.05/10

ITEM	NAME OF PART	NO. OF PART	Q'TY	MATERIAL	NOTES
4	DG126"-Screws-M2.5	S000001980(H)	XX	Steel	Cr ³⁺ Zn
3	DG306 Spring	X000000160(H)	XX	Stainless steel	
2	DG306 Pin	4006B00020(H)	XX	Brass	Tin plated
1	DG126-5.0-Housing	4019AYXXA(H)	?	PA66	UL94V-0

TOLERANCES EXCEPT AS NOTED .X ± .X' ± .XX ± .XX' ± .XXX ± .XXX' ±		MATERIAL: FINISH: PART NO.:		宁波高正电子有限公司 DEGSON ® DEGSON ELECTRONICS CO., LTD	
ANGLES ± 1° THIRD ANGLE PROJECTION		APPD: <i>Jean 10/21/14</i> CHRB: <i>Aaron 10/21/14</i> DRFT: LJJ 10/07/08		NAME: DG126-5.0-XXP-1Y-02A(H) TITLE: ASSEMBLY DRAWING DRAWING NO.: DG126-5.0-E51	
		DO NOT SCALE DRAWING SCALE: 1:1		REV: T2 SHEET: 1/1	