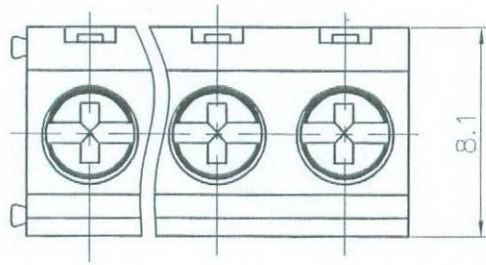


D1RFRD006

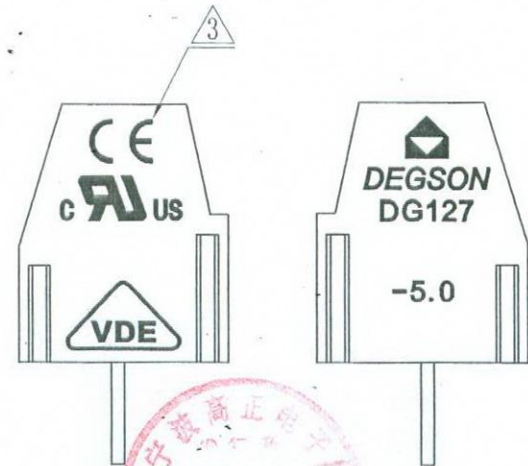
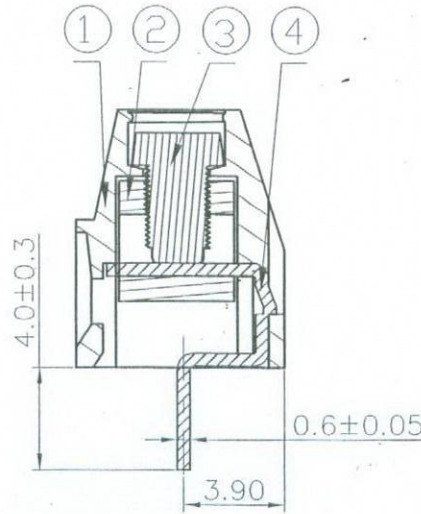
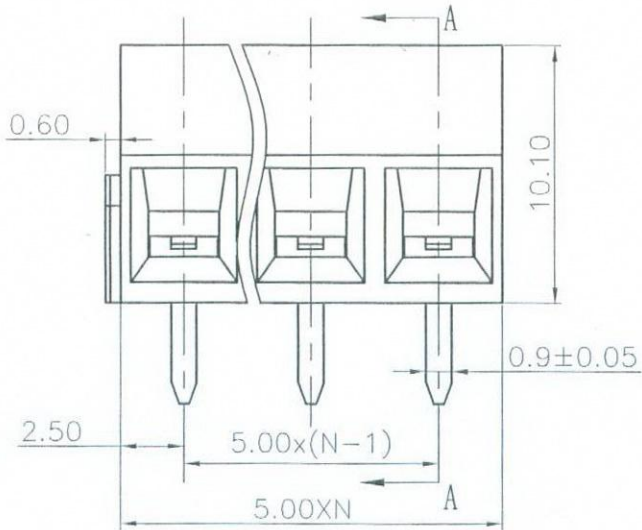
REVISION RECORD				
REV	ECO	DESCRIPTION	DRFT	DATE
△	..	Drawing Revise	Haoyh	02/27/06
△		增加VDE、CE标志	LJH	11/15/07
△		增加VDE参数	LJH	01/03/08



Notes:

- pitch: 5.00mm
- Rated voltage/current: UL 300V/12A  
VDE 250V/15A
- Insulation resistance: 5000MΩ/DC1000V
- Withstanding voltage: AC2000V/1Min
- Wire range: 26~14AWG 1.5mm<sup>2</sup>
- Temp. Range: -40° c~+105° c.
- Torque: M2.5 4.08kgf.cm
- Undimensioned Tolerances:

Pitch range in mm			Nominal dimension range in mm				
to	over	to	to	over	over	over	
6	6 to 10	10 to 24	30 to 30	30 to 60	60 to 100	100 to 150	∩
±0.10	±0.15	±0.25	±0.2	±0.3	±0.5	±0.7	±1.0
							0.05/10



4	DG127 Pin	4028B00010(H)	XX	Brass	SnCe
3	DG127 "十" Screws	S000001680(H)	XX	Steel	Cr <sup>3</sup> Zn
2	DG127 Cage	X000000170(H)	XX	Brass	Ni plated

ITEM	NAME OF PART	NO. OF PART	Q'TY	MATERIAL	NOTES
1	DG127-5.0 Housing	4028A0YXXA(H)	1	PA66	UL94V-0

DFTD Huangwei DATE 12/15/04" CHKD Hong DATE 01/07/08" MFD DATE APPVL Date 01/10/08	宁波高正电子有限公司 DEGSON® DEGSON ELECTRONICS CO., LTD
TOLERANCES EXCEPT AS NOTED MM .0 ± .00 ± .000 ±	NAME DG127-5.0-XXP-1Y-02A(H)
ANGLES ± 1° FINISH: SCALE: 1:1	DRAWING NO. DG127-5.0-E02 /PART NO. SIZE A3 REV T4 01/03/08
DETACHED LISTS THIRD ANGLE PROJECTION	DO NOT SCALE DRAWING SHEET 1 OF 1