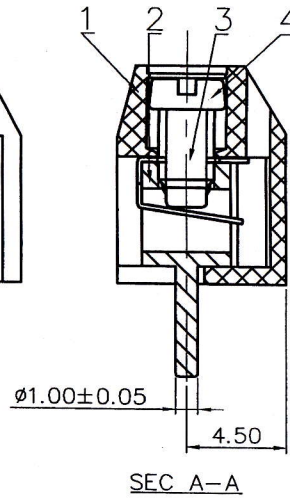
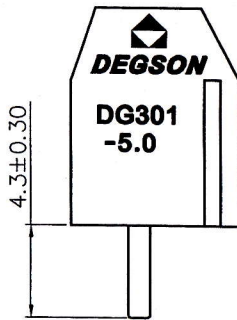
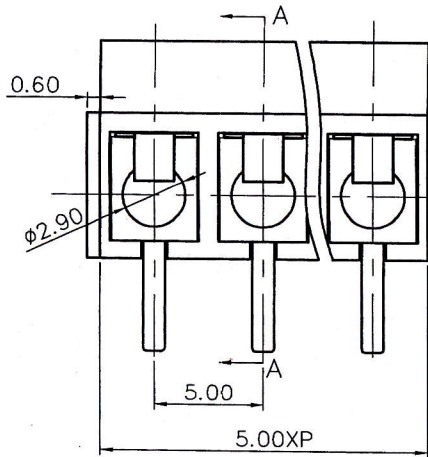
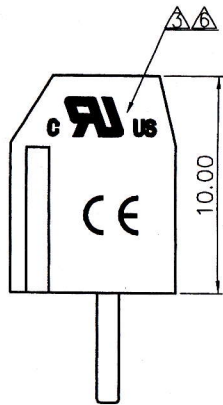
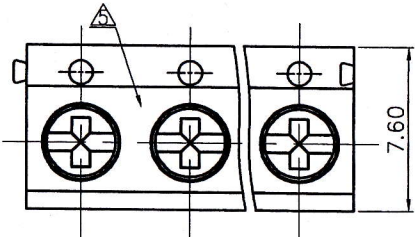


D1RFRD006



PITCH RANGE IN MM		NOMINAL DIMENSION RANGE IN MM					
TO	OVER	OVER	TO	OVER	OVER	OVER	
6	6	10	10	30	60	100	—
6	10	24	30	60	100	150	—
±0.10	±0.15	±0.25	±0.20	±0.30	±0.50	±0.70	±1.00 0.05/10



REVISION RECORD				
REV	ECN	DESCRIPTION	DRFT	DATE
△		Drawing Revise	Haoyh	12/06/05
△		修改刻字	CSX	12/28/06
△		增加VDE、CE标志	LJH	12/03/07
△	11-0160	去掉工艺槽	ZXX	06/30/11
△	12-0270	Drawing Revise	YHG	12/29/12
△	13-0204	新增CE刻字	JEX	10/21/13
△	14-0111	修订图面	TianM	04/24/14

- NOTES:
- 1.DIMENSION SHALL BE INTERPRETED PER ASME Y14.5-2009.
 - 2.PITCH: 5.0MM ,POLES: N=2-XXP
 - 3.RATED VOLTAGE/CURRENT: UL 300V/15A
VDE 250V/17.5A
 - 4.OPERATION TEMPERATURES: -30℃~+120℃
 - 5.RATED IMPULSE VOLTAGE: AC2000V/1MIN
 - 6.INSULATION RESISTANCE: 5000MΩ/DC1000V
 - 7.WIRE RANGE: 22~14AWG,1.5MM²
 - 8.MAX.TORQUE VALUE: M2.5,3.0kgf.cm
 - 9.UNDIMENSIONED TOLERANCES:

4	DG301-SCREWS	S000001350(H)	XX	STEEL	Cr ³⁺ Zn
3	DG301-SPRING	X000000250(H)	XX	STAINLESS STEEL	
2	DG301(A)-PIN HEADER	4004B00010(H)	XX	BRASS	Sn
1	DG301-5.0 HOUSING	4004A0YXXA(H)	1	PBT	UL94V-0
ITEM	NAME OF PART	NO. OF PART	Q'TY	MATERIAL	NOTES

TOLERANCES EXCEPT AS NOTED		FINISH:	
.X ±	.X* ±	PART NO.:	
.XX ±	.XX* ±	NAME:	
.XXX ±	.XXX* ±	DG301-5.0-XXP-1Y-02A(H)	
ANGLES ± 1°		APPD: Jean 04/25/14	TITLE: ASSEMBLE DRAWING
THIRD ANGLE PROJECTION		CHKD: Aaron 4/25/14	DRAWING NO.: DG301-5.0-E02
		DRFT: WHZ	DO NOT SCALE DRAWING
			SCALE: 1:1
			SHEET: 1/1
			REV: T7

DEGSON® 宁波高正电子有限公司
DEGSON ELECTRONICS CO., LTD