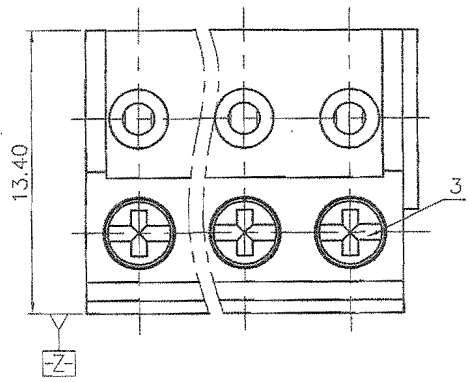


REVISION RECORD				
REV	ECN	DESCRIPTION	DRFT	DATE
△	17-0026	Design Modify	Xin	11/24/13

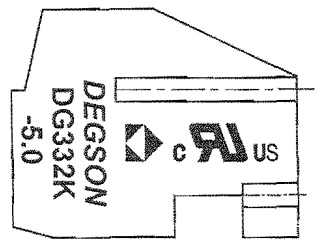
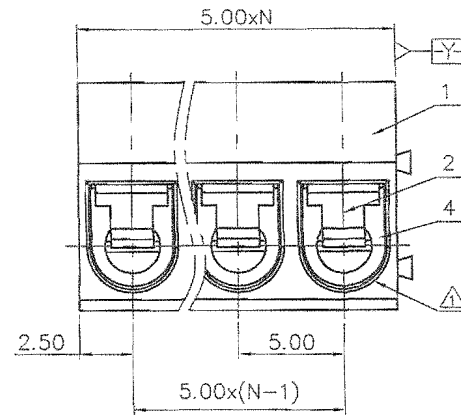
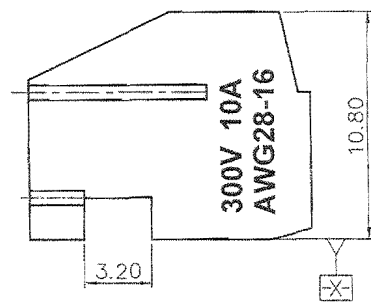


NOTES1:
 UL Standard
 1.Rated voltage/current : 300V / 10A
 2.Torque value : M2.5 , 3.54Lb.in
 3.Wire range : 28~16AWG
 IEC Standard
 1.Rated voltage/current : 250V / 12A
 2.Torque value : M2.5 , 0.4N·m
 3.Wire range : 0.2~1.5mm²

NOTES2:
 1.Dimension shall be interpreted per ASME Y14.5-2009
 2.Pitch : 5.00mm, Poles : N=02~12P
 3.Stripping length : 5~6mm
 4.Withstanding voltage : AC2000V/1Min
 5.Operating temperature: -30°C~+120°C
 6.Undimensioned tolerances:

Pitch Range In mm		Nominal Dimension Range in mm				0.1/10
To	Over	To	Over	To	Over	≤
6	10	30	60	100	150	
6	10	24	30	60	100	
±0.15	±0.20	±0.30	±0.30	±0.50	±0.70	±1.00
						±2°

7.RoHS Compliance



DG332K - 5.0 - XXP - 1Y - 02A (H)
 (RoHS)
 02A-(Customer Request)
 (Series No.)(Pitch) (Poles)(Single Pitch) (Color):
 1.(Grey)
 2.(Blue)
 3.(Black)
 4.(Green)
 5.(Orange)
 6.(Red)
 7.(Transparent)
 8.(Yellow)
 9.(White)

NO.	DESCRIPTION	MATERIAL	TREATMENT
4	Cage	Copper alloy	M2.5/Ni Plated
3	Screw	Steel	M2.5/Zn Plated
2	Clamp	Copper alloy	Ni Plated
1	Housing	PBT	UL94V-0

PART NO: /		NINGBO DEGSON ELECTRICAL CO., LTD	
APPD: <i>Asan 2017.3.4</i>	NAME: DG332K-5.0-XXP-1Y-02A(H)		
CHKD: <i>Yan 2017.3.3</i>	TITLE: CUSTOMER DRAWING		REV: T1
DRFT: Song 12/14/15	DRAWING NO.: DG332K-5.0-C08		SHEET: 1/1
THIRD ANGLE PROJECTION		MM (INCH)	DO NOT SCALE DRAWING
		SCALE	1:1