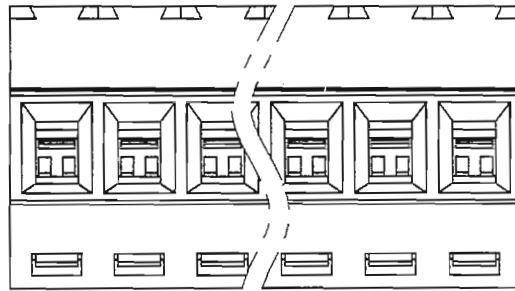


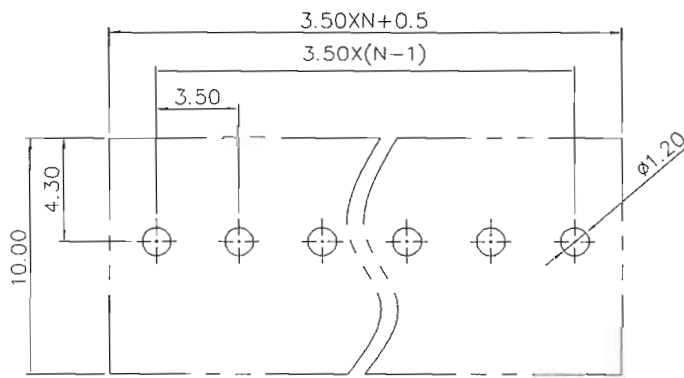
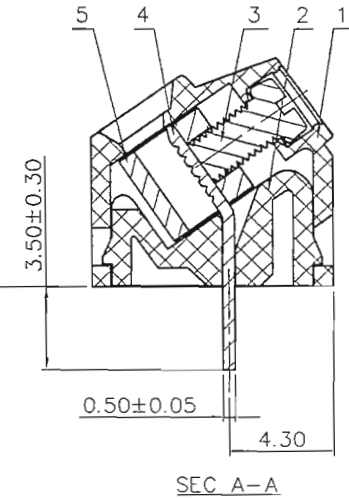
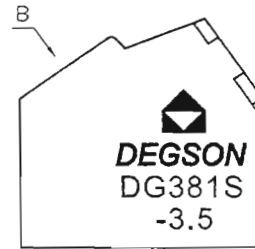
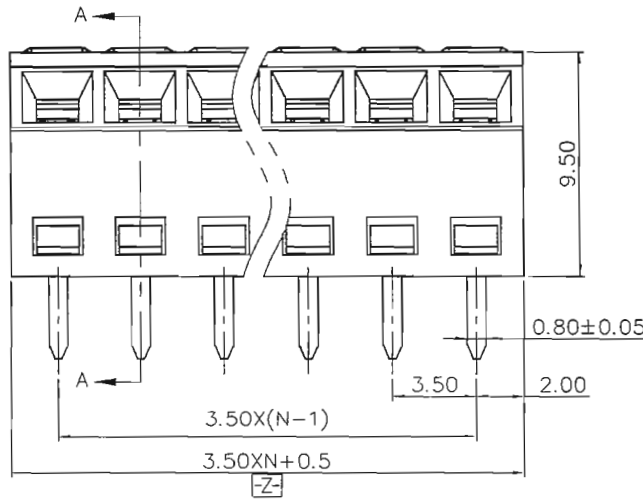
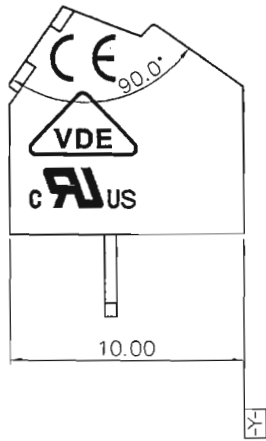
REVISION RECORD				
REV	ECN	DESCRIPTION	DRFT	DATE

- NOTES:
- 1.DIMENSION SHALL BE INTERPRETED PER ASME Y14.5-2009.
 - 2.PITCH: 3.5MM ,POLES: 2-18P
 - 3.RATED VOLTAGE/CURRENT: UL 300V/10A
VDE 130V/10A
 - 4.OPERATION TEMPERATURES: -40℃~+105℃
 - 5.WITHSTANDING VOLTAGE: AC2000V/1MIN.
 - 6.INSULATION RESISTANCE5000MΩ/DC1000V
 - 7.WIRE RANGE: 26~16AWG,0.2~1.5MM²
 - 8.TORQUE VALUE:M2,2.04kgf.cm
 - 9.UNDIMENSIONED TOLERANCES:

Pitch range in mm		Nominal dimension range in mm					—
to	over	to	over	to	over	to	—
5	6 to 10	10 to 24	30 to 60	60 to 100	100 to 150	150	⌒
±0.10	±0.15	±0.25	±0.2	±0.3	±0.5	±0.7	±1.0
							□



VIEW B



P.C.B. LAYOUT

2015.03.28
(仅限内部使用, 对外无效)

5	DG381 Cage	X000000300(H)	XX	Brass	Ni plated
4	DG381S-3.5 Pin header	4147B00010(H)	XX	Phosphor Bronze	Sn plated
3	DG381 "+/-"Screws	S000001710(H)	XX	Steel	Zn plated
2	DG381S-3.5-Cover	4147C0YXXA(H)	1	PA66	UL94V-0
1	DG381S-3.5-Housing	4147A0YXXA(H)	1	PA66	UL94V-0

DETACHED LISTS		MATERIAL:		DEGSON® 宁波高正电子有限公司	
TOLERANCES EXCEPT AS NOTED		FINISH:		DEGSON ELECTRONICS CO., LTD	
.X ±	.X' ±	PART NO.:		NAME: "+/-" 字螺丝	
.XX ±	.XX' ±	APPD: Aaron 3/6/15		TITLE: ASSEMBLY DRAWING	
.XXX ±	.XXX' ±	CHKD: Jea 3/6/15		DRAWING NO.: DG381S-3.5-E16	
ANGLES ± 1°		DRFT: WYJ 03/24/15"		DO NOT SCALE DRAWING	
THIRD ANGLE PROJECTION		SCALE 1:1		REV	TO
		SHEET 1/1			