

REVISION RECORD				
REV	ECN	DESCRIPTION	DRFT	DATE

NOTES1:

- UL Standard
- 1. Rated voltage/current : 300V / 20A
- 2. Withstanding voltage : AC1600V/1Min.
- 3. Torque value : M3 , 4.43Lb.in
- 4. Wire range : 30~12AWG

IEC Standard

1. Pollution degree	2	2	3
Overvoltage category	II	III	III
Rate impulse voltage(KV)	4KV	4KV	4KV
Rate voltage(V)	630V	400V	250V
Rate current(A)	20A		

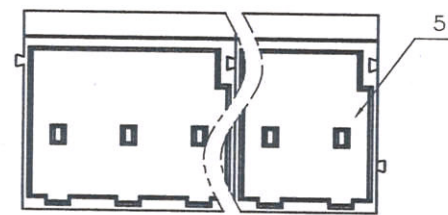
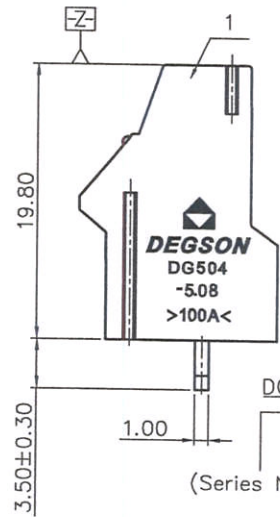
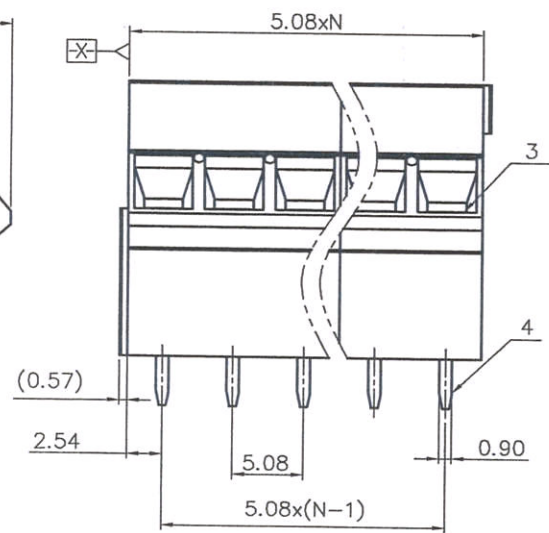
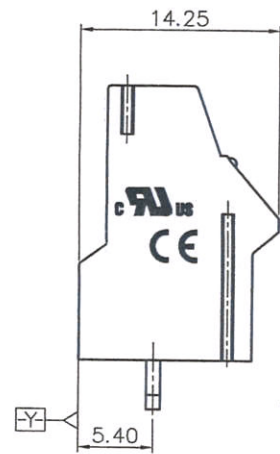
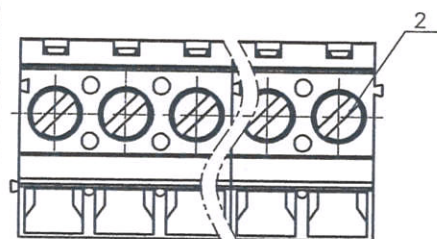
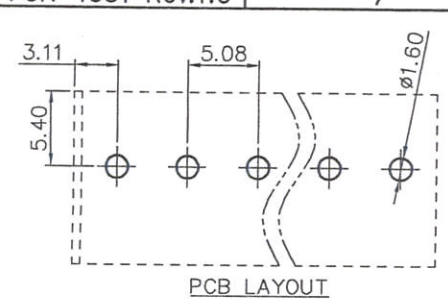
- 2. Torque value : M3 , 0.5N·m
- 3. Wire range : 0.2~2.5mm<sup>2</sup>

NOTES2:

- 1. Dimension shall be interpreted per ASME Y14.5-2009
- 2. Pitch : 5.08mm, Poles : N=02~XXP
- 3. Stripping length : 10~11mm
- 4. Operating temperature: -40°C~+105°C
- 5. Undimensioned tolerances:

Pitch range in mm		Nominal dimension range in mm						-	∩	□
Over 6 TO 10	Over 10 TO 24	Over 30 TO 60	Over 60 TO 100	Over 100 TO 150	Over 150	±0.1/10				
±0.15	±0.20	±0.30	±0.30	±0.50	±0.70	±1.00	±1.30	±2'		

6. RoHS Compliance



DG504 - 5.08 - XXP - 1Y - 100A (H)  
 (Series No.) (Pitch) (Poles) (Single (Color) Pitch) (RoHS)  
 100A-(Customer Request)

1.(Grey) 2.(Blue) 3.(Black)  
 4.(Green) 5.(Orange) 6.(Red)  
 7.(Transparent) 8.(Yellow) 9.(White)

5	Cover	PA66	UL94V-0
4	Pin header	Copper alloy	Sn plated
3	Cage	Copper alloy	M3/Ni plated

PART NO.: /

APPD: *Amor 2/17/17*

CHKD: *Xm2/17/17*

DRFT: GYZ 6/14/16"

THIRD ANGLE PROJECTION

2	Screw	Steel	M3/Zn Plated
1	Housing	PA66	UL94V-0
ITEM	NAME OF PART	MATERIAL	NOTES

DEGSON® 宁波高松电子有限公司  
 NINGBO DEGSON ELECTRICAL CO., LTD

NAME: DG504-5.08-XXP-1Y-100A(H)

TITLE: CUSTOMER DRAWING

REV TO

DRAWING NO.: DG504-5.08-C05

SHEET 1/1

MM (INCH) DO NOT SCALE DRAWING SCALE 1:1