

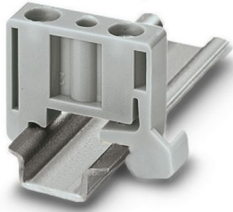
E/MK 1 - End bracket

1421659

<https://www.phoenixcontact.com/pc/products/1421659>

Please be informed that the data shown in this PDF document is generated from our online catalog. Please find the complete data in the user documentation. Our general terms of use for downloads are valid.

End clamp width: 6 mm, color: gray



Your advantages

- Large-surface marking
- Can be screwed onto NS 15 DIN rails

Commercial data

Item number	1421659
Packing unit	100 pc
Minimum order quantity	100 pc
Product key	BE7111
Catalog page	Page 539 (C-3-2019)
GTIN	4017918021573
Weight per piece (including packing)	2.602 g
Weight per piece (excluding packing)	2.602 g
Customs tariff number	39269097
Country of origin	PL

E/MK 1 - End bracket

1421659

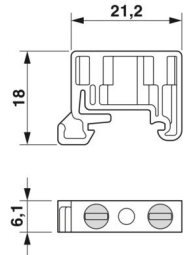
<https://www.phoenixcontact.com/pc/products/1421659>

Technical data

Product properties

Product type	End bracket
--------------	-------------

Dimensions

Dimensional drawing	
Width	6.1 mm
Height	21.2 mm
Depth	18 mm
Depth on NS 35/7,5	19.5 mm
Length	21.2 mm

Material specifications

Color	gray (RAL 7042)
Material	PA
Flammability rating according to UL 94	V2
Coating	3.2 mm fixing hole

Environmental and real-life conditions

Ambient conditions

Ambient temperature (operation)	-60 °C ... 105 °C (max. short-term operating temperature RTI Elec.)
Ambient temperature (storage/transport)	-25 °C ... 60 °C (for a short time, not exceeding 24 h, -60 °C to +70 °C)
Ambient temperature (assembly)	-5 °C ... 70 °C
Ambient temperature (actuation)	-5 °C ... 70 °C
Permissible humidity (storage/transport)	30 % ... 70 %

Mounting

Mounting type	NS 15
---------------	-------

E/MK 1 - End bracket

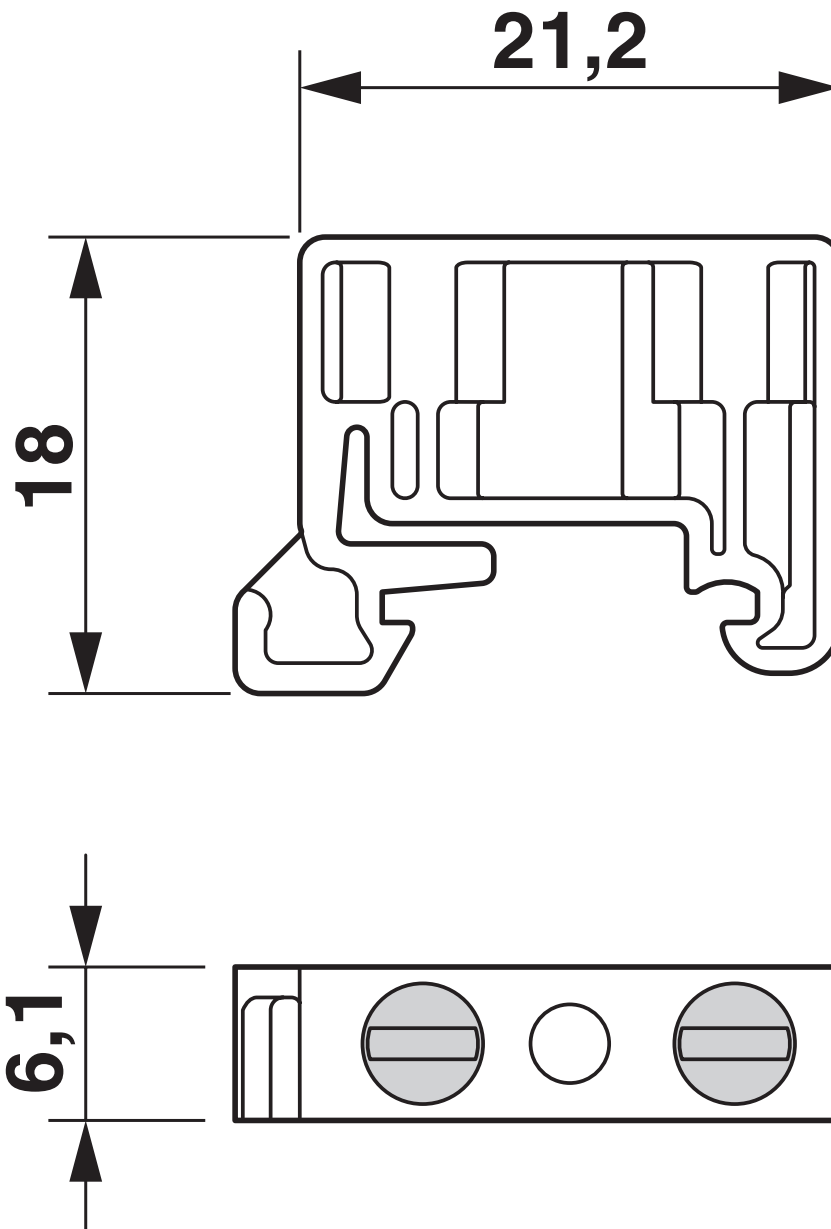
1421659

<https://www.phoenixcontact.com/pc/products/1421659>



Drawings

Dimensional drawing



E/MK 1 - End bracket



1421659

<https://www.phoenixcontact.com/pc/products/1421659>

Classifications

ECLASS

ECLASS-11.0	27141135
ECLASS-12.0	27141135
ECLASS-13.0	27250302

ETIM

ETIM 9.0	EC001041
----------	----------

UNSPSC

UNSPSC 21.0	39121400
-------------	----------

E/MK 1 - End bracket



1421659

<https://www.phoenixcontact.com/pc/products/1421659>

Environmental product compliance

EU RoHS

Fulfills EU RoHS substance requirements	Yes, No exemptions
---	--------------------

China RoHS

Environment friendly use period (EFUP)	EFUP-E
	No hazardous substances above the limits

EU REACH SVHC

REACH candidate substance (CAS No.)	No substance above 0.1 wt%
-------------------------------------	----------------------------

Phoenix Contact 2024 © - all rights reserved
<https://www.phoenixcontact.com>

PHOENIX CONTACT GmbH & Co. KG
Flachmarktstraße 8
D-32825 Blomberg
+49 (0) 5235-3 00
info@phoenixcontact.com