

# IC-DFR 2 - Accessories

1852024

<https://www.phoenixcontact.com/pc/products/1852024>

Please be informed that the data shown in this PDF document is generated from our online catalog. Please find the complete data in the user documentation. Our general terms of use for downloads are valid.



Panel-mount frame, color: green, product range: IC-DFR, width: 33.83 mm, This assembly frame can only be used in combination with IC 2,5/...-STGF-5,08

## Your advantages

- Feed-through assembly frame for inverted COMBICON connector IC 2,5/-STGF-5,08
- Cable connection on the inside of the device enables flexible positioning of the panel feed-through
- Mounting flanges reduce the mechanical strain on the soldering spots
- Can be combined with the MSTB 2,5 range

## Commercial data

Item number	1852024
Packing unit	50 pc
Minimum order quantity	1 pc
Product key	AAHZBE
Catalog page	Page 350 (C-1-2013)
GTIN	4017918108908
Weight per piece (including packing)	1.45 g
Weight per piece (excluding packing)	1.386 g
Customs tariff number	39269097
Country of origin	PL

1852024

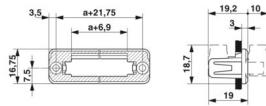
<https://www.phoenixcontact.com/pc/products/1852024>

## Technical data

### Product properties

Product type	Panel-mount frame
Product family	IC-DFR
Product line	COMBICON Connectors Special
Number of positions	2
Pitch	5.08 mm
Number of connections	2
Number of rows	1
Number of potentials	2

### Dimensions

Dimensional drawing	
Pitch	5.08 mm
Width [w]	33.83 mm
Height [h]	16.75 mm
Length [l]	19 mm
Installed height	16.75 mm

### Material specifications

#### Material data - housing

Color (Housing)	green (6021)
Insulating material	PA
Insulating material group	I
CTI according to IEC 60112	600
Flammability rating according to UL 94	V0
Glow wire flammability index GWFI according to EN 60695-2-12	850
Glow wire ignition temperature GWIT according to EN 60695-2-13	775
Temperature for the ball pressure test according to EN 60695-10-2	125 °C

### Connector

#### Connection 1

Insulating material	PA
CTI according to IEC 60112	600

### Packaging specifications

# IC-DFR 2 - Accessories

1852024

<https://www.phoenixcontact.com/pc/products/1852024>



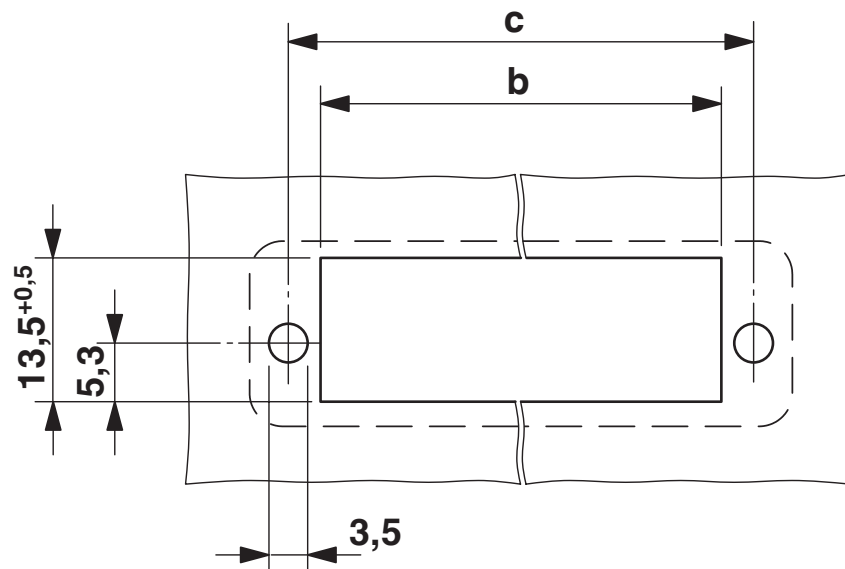
Type of packaging	packed in cardboard
-------------------	---------------------

1852024

<https://www.phoenixcontact.com/pc/products/1852024>

## Drawings

Drilling plan/solder pad geometry



Dimension b:  $10.84 \text{ mm} + (\text{no. of pos.} \times 5.08 \text{ mm})$

Dimension c:  $\text{Dim. b} + 5.83 \text{ mm}$

# IC-DFR 2 - Accessories



1852024

<https://www.phoenixcontact.com/pc/products/1852024>

## Classifications

### ECLASS

ECLASS-11.0	27460405
ECLASS-13.0	27460405
ECLASS-12.0	27460405

### ETIM

ETIM 9.0	EC002943
----------	----------

### UNSPSC

UNSPSC 21.0	39121400
-------------	----------

# IC-DFR 2 - Accessories



1852024

<https://www.phoenixcontact.com/pc/products/1852024>

## Environmental product compliance

### EU RoHS

Fulfills EU RoHS substance requirements	Yes, No exemptions
---	--------------------

### China RoHS

Environment friendly use period (EFUP)	EFUP-E
	No hazardous substances above the limits

### EU REACH SVHC

REACH candidate substance (CAS No.)	No substance above 0.1 wt%
-------------------------------------	----------------------------

### EF3.0 Climate Change

CO2e kg	0.027 kg CO2e
---------	---------------

Phoenix Contact 2024 © - all rights reserved  
<https://www.phoenixcontact.com>

PHOENIX CONTACT GmbH & Co. KG  
Flachsmarktstraße 8  
D-32825 Blomberg  
+49 (0) 5235-3 00  
[info@phoenixcontact.com](mailto:info@phoenixcontact.com)