

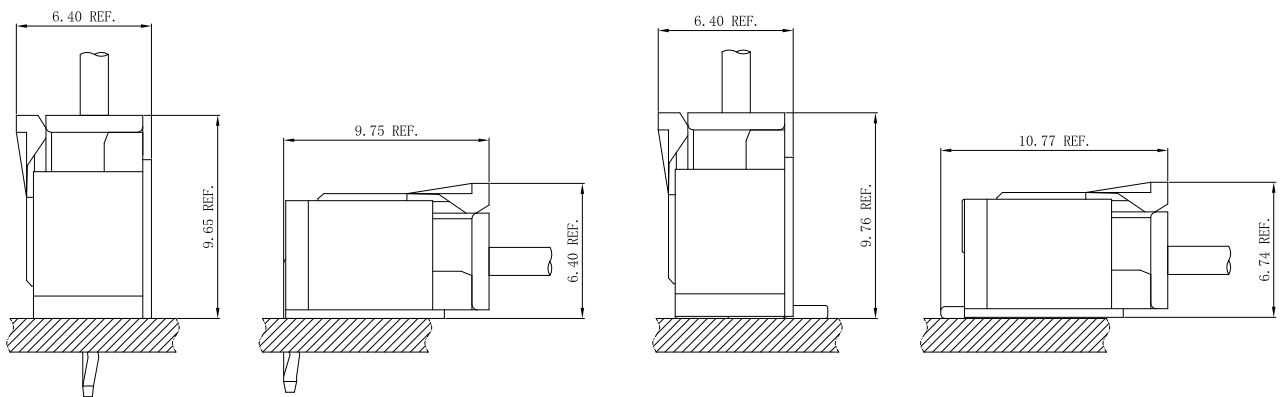
Specifications

- Voltage rating: 250V AC, DC
- Current Rating: 3A, AC, DC
- Withstand voltage: 800V AC/minute
- Contact resistance: 20m Ω max
- Insulation resistance: 1000m Ω min
- Temperature range: -25°C ~ +85°C
- Compliant with RoHS and REACH
- Contact JVT for details

Standards



Assembly layout



JVT CONNECTORS
TEL: +86-0769-39015968/81608536
FAX: +86-0769-8535 8632
Http://www.jvt.ltd

JVT2032H

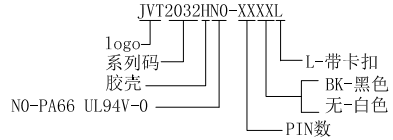
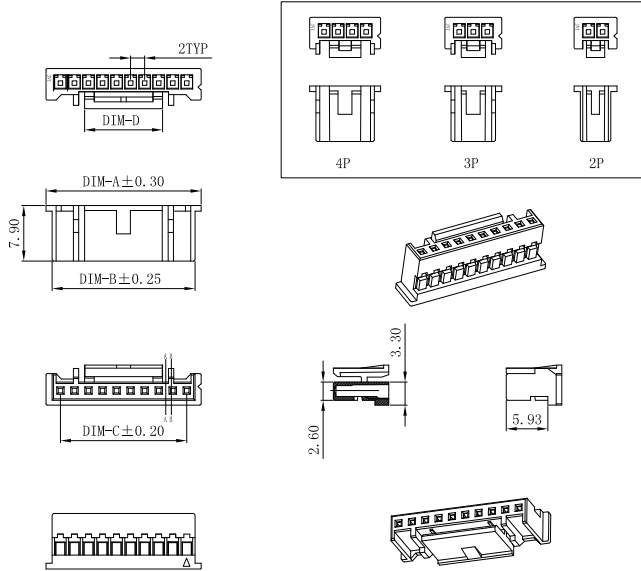
2.0mm Pitch housing

HOUSING

Part No.: JVT2032HN0-XXXXL

Material: Nylon 66 UL94V-0

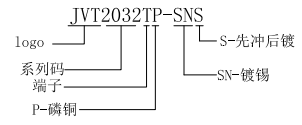
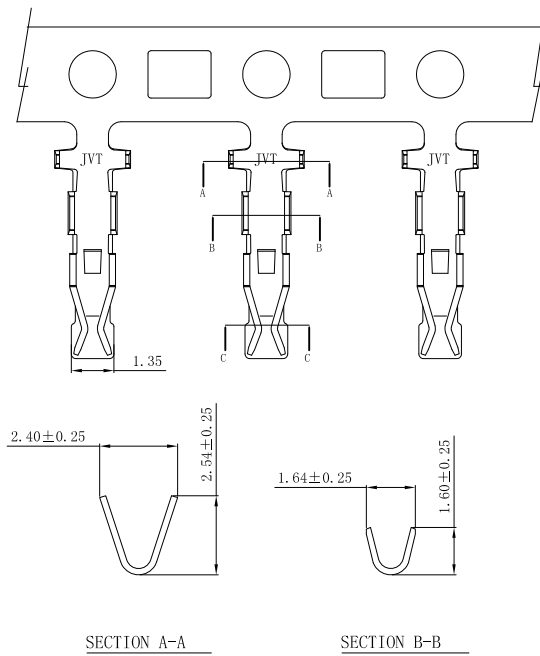
Mates With Part(s): JVT2032 Terminal



CIRCUITS	DIM. A	DIM. B	DIM. C	DIM. D
2	6.10	4.34	2.00	2.6
3	8.10	6.34	4.00	3.45
4	10.10	8.34	6.00	4.5
5	12.10	10.34	8.00	
6	14.10	12.34	10.00	
7	16.10	14.34	12.00	4.5
8	18.10	16.34	14.00	
9	20.10	18.34	16.00	
10	22.10	20.34	18.00	
11	24.10	22.34	20.00	
12	26.10	24.34	22.00	
13	28.10	26.34	24.00	11.1
14	30.10	28.34	26.00	
15	32.10	30.34	28.00	
16	34.10	32.34	30.00	

JVT2032T

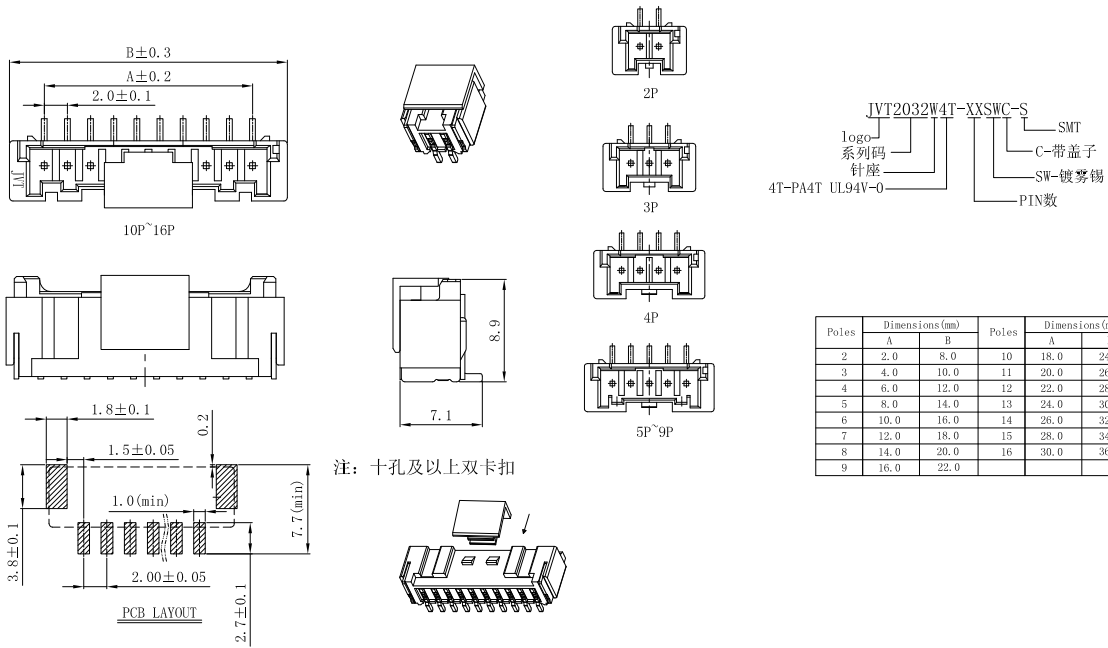
2.0mm Pitch Crimp Terminal



JVT2032TP-SNS	Phos Bronze	Tin Plated	AWG#24~30	1.4mm(Max)	JVT2032 Housing
PART NO	Material	Finish(Pin)	Wire Range	Insulation O.D.	Mates With Part(s)

JVT2032W

2.0mm Pitch Wafer-SMT TYPE

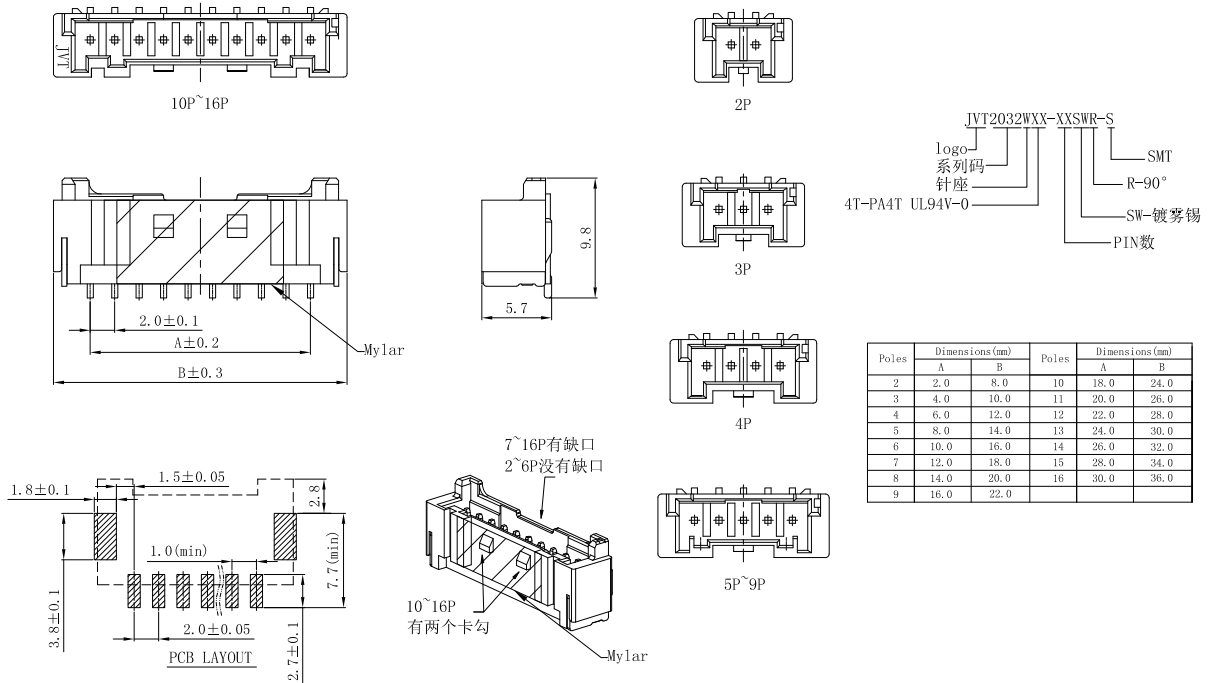


Poles	Dimensions(mm)		Poles	Dimensions(mm)	
	A	B		A	B
2	2.0	8.0	10	18.0	24.0
3	4.0	10.0	11	20.0	26.0
4	6.0	12.0	12	22.0	28.0
5	8.0	14.0	13	24.0	30.0
6	10.0	16.0	14	26.0	32.0
7	12.0	18.0	15	28.0	34.0
8	14.0	20.0	16	30.0	36.0
9	16.0	22.0			

JVT2032W4T-XXSWC-S	PA4T UL94V-0	Brass	Fog Tin Plated	Brass	JVT2032 Housing
PART NO	Material	Material(Pin)	Finish(Pin)	Material (Solder Tabs)	Mates With Part(s)

JVT2032W

2.0mm Pitch 90°Wafer-SMT TYPE

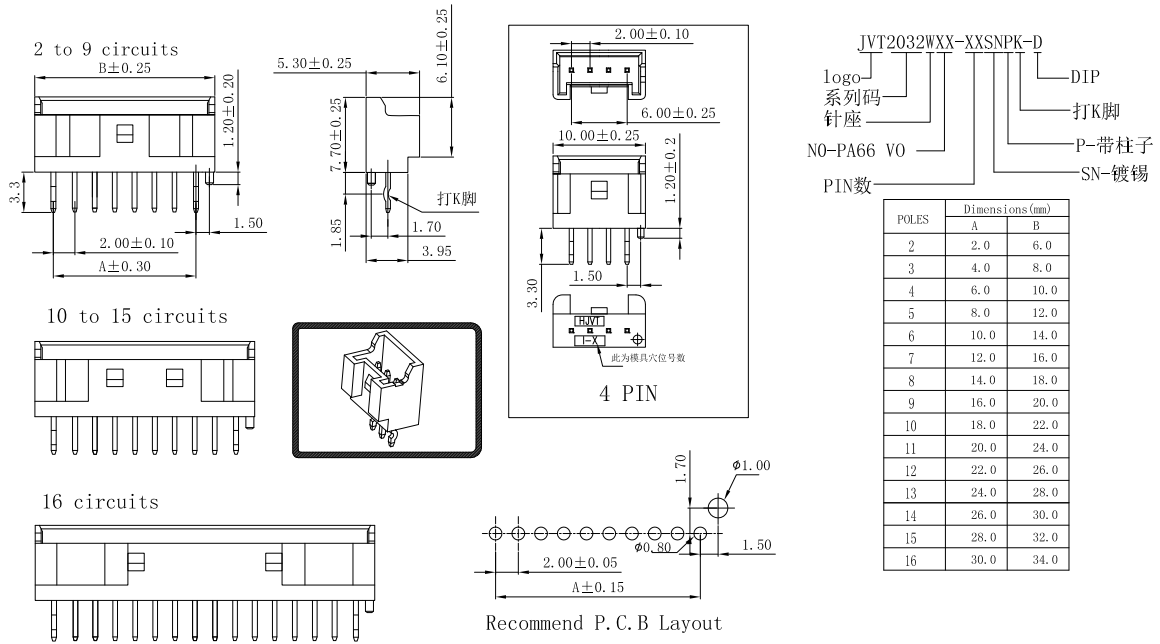


Poles	Dimensions(mm)		Poles	Dimensions(mm)	
	A	B		A	B
2	2.0	8.0	10	18.0	24.0
3	4.0	10.0	11	20.0	26.0
4	6.0	12.0	12	22.0	28.0
5	8.0	14.0	13	24.0	30.0
6	10.0	16.0	14	26.0	32.0
7	12.0	18.0	15	28.0	34.0
8	14.0	20.0	16	30.0	36.0
9	16.0	22.0			

JVT2032W4T-XXSWR-S	PA4T UL94V-0	Brass	Fog Tin Plated	Brass	JVT2032 Housing
PART NO	Material	Material(Pin)	Finish(Pin)	Material (Solder Tabs)	Mates With Part(s)

JVT2032W

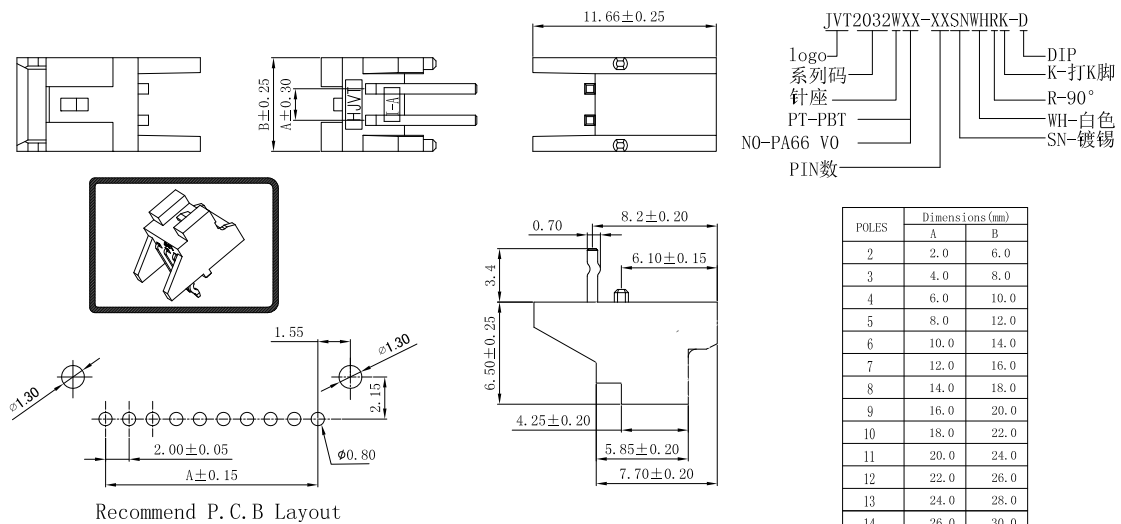
2.0mm Pitch Wafer-DIP TYPE



JVT2032WN0-XXSNPK-D	PA66 UL94V-0	Brass	Tin Plated	JVT2032 Housing
PART NO	Material	Material(Pin)	Finish(Pin)	Mates With Part(s)

JVT2032W

2.0mm Pitch 90°Wafer-DIP TYPE



JVT2032WN0-XXSNWHRK-D	PA66 UL94V-0	Brass	Tin Plated	JVT2032 Housing
PART NO	Material	Material(Pin)	Finish(Pin)	Mates With Part(s)