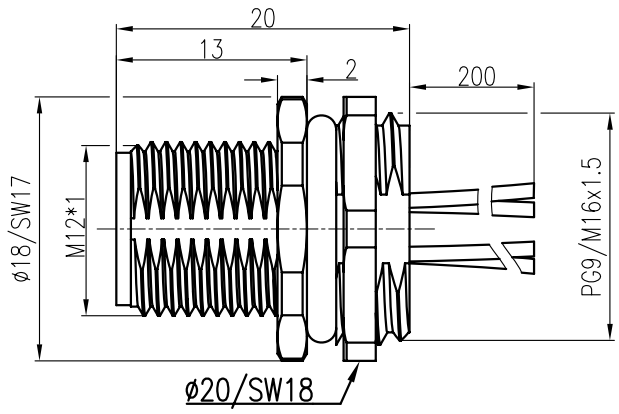
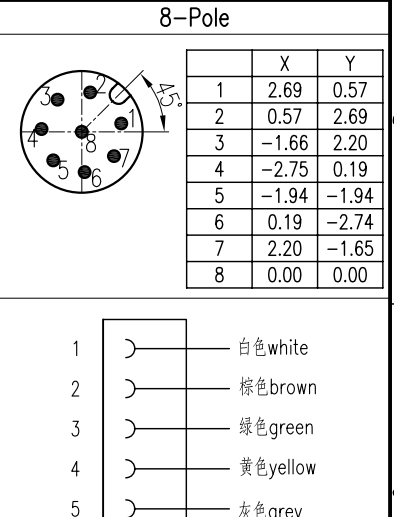
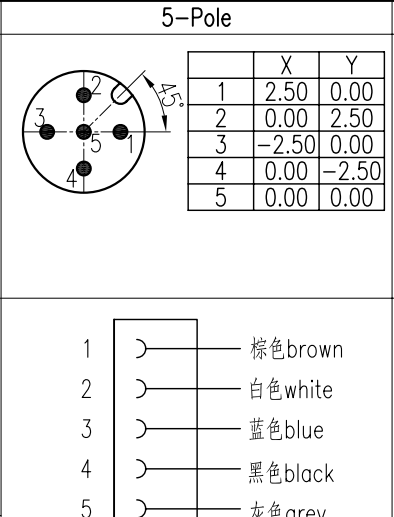
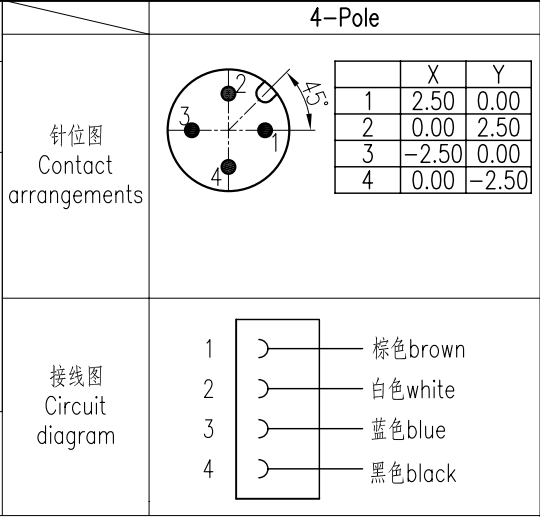
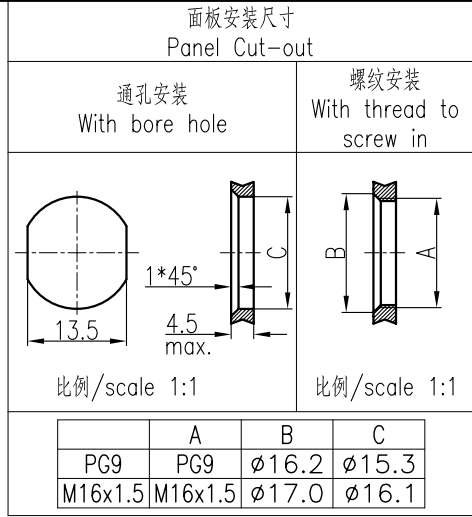


技术参数:

- 产品系列: M12 A-Code
- 插针数: 4, 5, 8
- 额定电流(40°C): 4A(4\5-pole), 2A(8-pole)
- 额定电压: 250V(4-pole), 125V(5-pole), 60V(8-pole)
- 额定脉冲电压: 2500V(4-pole), 1500V(5-pole), 800V(8-pole)
- 污染等级: 3
- 接触电阻: <10mΩ
- 绝缘电阻: ≥100MΩ
- 锁紧方式: 螺纹式M12*1
- 连接方式: 预接导线0.25mm² (AWG24)
- 防护等级: IP67
- 插拔次数: ≥100
- 温度范围: -40°C ... +85°C
- 外壳材料: 铸锌镍银
- 插体材料: PA
- 插针材料: 铜合金
- 插针电镀材料: 金

Technical specification:

- Series: M12 A-Code
- Number of contacts: 4, 5, 8
- Rated current (40°C): 4A(4\5-pole), 2A(8-pole)
- Rated voltage: 250V(4-pole), 125V(5-pole), 60V(8-pole)
- Rated impulse voltage: 2500V(4-pole), 1500V(5-pole), 800V(8-pole)
- Pollution degree: 3
- Contact resistance: <10mΩ
- Insulation resistance: ≥100MΩ
- Connector locking system: screw M12*1
- Terminal: single-strand wires 0.25mm²(AWG24)
- Degree of protection: IP67
- Mating cycles: ≥100
- Temperature range: -40°C ... +85°C
- Material of housing: Zinc diecasting nickel plated
- Material of insert: PA
- Material of contact: copper alloy
- Contact plating: Au



带线长度L=0.2m, 如需其它长度在型号后+“-1.0”、“-2.0”
Cable length L=0.2m, For other lengths please add “-1.0”、“-2.0”after the type

插针数 Contacts	产品料号 Cable outlet	型号 Part Code	重量 Weight
4	1630043014001	M12-M04A-BK-PG9-W0.25	14.1 g
	1630043014021	M12-M04A-BK-M16-W0.25	14.4 g
5	1630053014001	M12-M05A-BK-PG9-W0.25	14.1 g
	1630053014021	M12-M05A-BK-M16-W0.25	14.4 g
8	1630083014001	M12-M08A-BK-PG9-W0.25	17.7 g
	1630083014021	M12-M08A-BK-M16-W0.25	18.0 g

表面处理 Finish	-	图号 Drawing No.	-
材料 Material	-	产品代号 Part Code	M12-MXX-BK-XX-W0.25
	-	产品料号 Part No.	-
比例 Scale	2:1	产品名称 Part Name	-
	V1.0	厦门唯恩电气有限公司 XIAMEN WAIN ELECTRICAL CO.LTD	
重量 Weight	-	All Dimensions in mm Original Size DIN A 4	
数量 Qty.	-		
标记 Mark	处数 Number	变更描述/Description	签名 Signature
姓名/Name	日期/Date	姓名/Name	日期/Date
绘图 Drawn	HQ ZHANG	13.01.2014	标准化 Stand.
审核 Checked	ZM LIN	13.01.2014	
工艺 Process	-	批准 Approved	YY LUO 13.01.2014