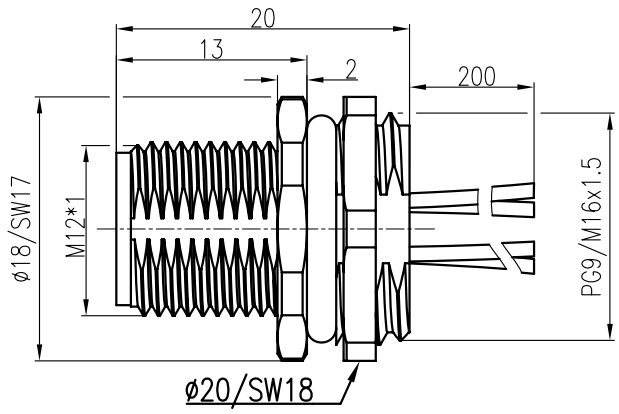
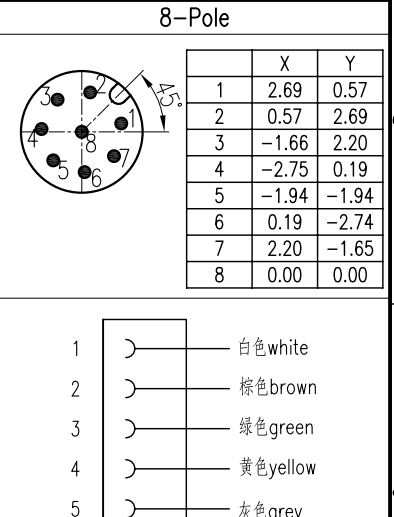
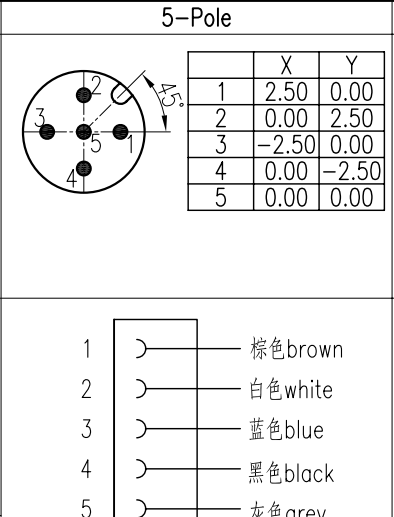
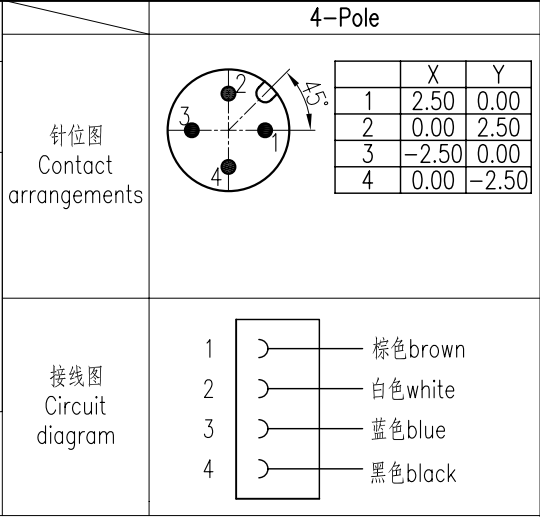
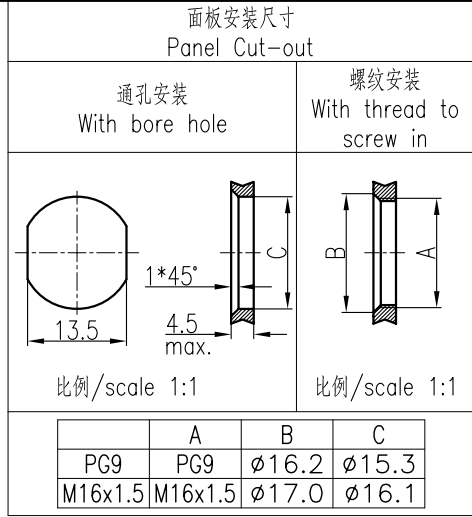


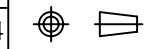
技术参数:  
 - 产品系列: M12 A-Code  
 - 插针数: 4, 5, 8  
 - 额定电流(40°C): 4A(4\5-pole), 2A(8-pole)  
 - 额定电压: 250V(4-pole), 125V(5-pole), 60V(8-pole)  
 - 额定脉冲电压: 2500V(4-pole), 1500V(5-pole), 800V(8-pole)  
 - 污染等级: 3  
 - 接触电阻: <10mΩ  
 - 绝缘电阻: ≥100MΩ  
 - 锁紧方式: 螺纹式M12\*1  
 - 连接方式: 预接导线0.25mm<sup>2</sup> (AWG24)  
 - 防护等级: IP67  
 - 插拔次数: ≥100  
 - 温度范围: -40°C ... +85°C  
 - 外壳材料: 铸锌镍  
 - 插体材料: PA  
 - 插针材料: 铜合金  
 - 插针电镀材料: 金  
 Technical specification:  
 - Series: M12 A-Code  
 - Number of contacts: 4, 5, 8  
 - Rated current (40°C): 4A(4\5-pole), 2A(8-pole)  
 - Rated voltage: 250V(4-pole), 125V(5-pole), 60V(8-pole)  
 - Rated impulse voltage: 2500V(4-pole), 1500V(5-pole), 800V(8-pole)  
 - Pollution degree: 3  
 - Contact resistance: <10mΩ  
 - Insulation resistance: ≥100MΩ  
 - Connector locking system: screw M12\*1  
 - Terminal: single-strand wires 0.25mm<sup>2</sup>(AWG24)  
 - Degree of protection: IP67  
 - Mating cycles: ≥100  
 - Temperature range: -40°C ... +85°C  
 - Material of housing: Zinc diecasting nickel plated  
 - Material of insert: PA  
 - Material of contact: copper alloy  
 - Contact plating: Au



带线长度L=0.2m, 如需其它长度在型号后+“-1.0”、“-2.0”  
 Cable length L=0.2m, For other lengths please add “-1.0”、“-2.0”after the type

| 插针数<br>Contacts | 产品料号<br>Cable outlet | 型号<br>Part Code       | 重量<br>Weight |
|-----------------|----------------------|-----------------------|--------------|
| 4               | 1630043014001        | M12-M04A-BK-PG9-W0.25 | 14.1 g       |
|                 | 1630043014021        | M12-M04A-BK-M16-W0.25 | 14.4 g       |
| 5               | 1630053014001        | M12-M05A-BK-PG9-W0.25 | 14.1 g       |
|                 | 1630053014021        | M12-M05A-BK-M16-W0.25 | 14.4 g       |
| 8               | 1630083014001        | M12-M08A-BK-PG9-W0.25 | 17.7 g       |
|                 | 1630083014021        | M12-M08A-BK-M16-W0.25 | 18.0 g       |

|                |              |   |                     |
|----------------|--------------|---|---------------------|
| 表面处理<br>Finish | -            | 图号<br>Drawing No.                           | -                   |
| 材料<br>Material | -            | 产品代号<br>Part Code                           | M12-MXX-BK-XX-W0.25 |
| 比例<br>Scale    | 2:1          | 产品料号<br>Part No.                            | -                   |
| 版本<br>REV.     | V1.0         | 产品名称<br>Part Name                           | -                   |
| 重量<br>Weight   | -            | 厦门唯恩电气有限公司<br>XIAMEN WAIN ELECTRICAL CO.LTD |                     |
| 数量<br>Qty.     | -            |   |                     |
| 标记<br>Mark     | 处数<br>Number | 变更描述/Description                            | 签名<br>Signature     |
| 姓名/Name        | 日期/Date      | 姓名/Name                                     | 日期/Date             |
| 绘图<br>Drawn    | HQ ZHANG     | 13.01.2014                                  | 标准化<br>Stand.       |
| 审核<br>Checked  | ZM LIN       | 13.01.2014                                  |                     |
| 工艺<br>Process  | -            | 批准<br>Approved                              | YY LUO 13.01.2014   |



All Dimensions in mm  
Original Size DIN A 4

厦门唯恩电气有限公司  
XIAMEN WAIN ELECTRICAL CO.LTD