

The product using material and processing must conform to the "WL-PZ-001"HSF technical standard control requirements

Insulator Coded

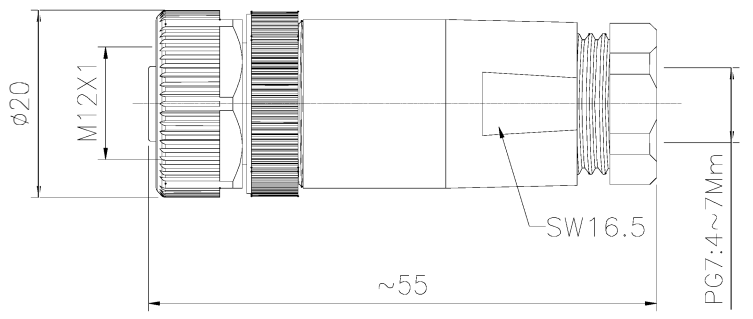
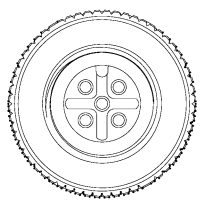
Series	3	4	5	6	8	12
Pin Number						
Conductor size(AWG)	22	22	22	24	24	26
Pin size(mm)	1	1	1	0.8	0.8	0.6
Rated current(A)	4	4	4	2	2	1
Rated voltage(V)	250	250	60	30	30	30

Coded	A	B	D
Pin Number			

Technical Characteristics

- Durability: >500 mate/unmate cycles
- Pin Contact Resistance: ≤10mΩ
- Insulation Resistance: ≥100MΩ
- Rated Temperature: -40°C, +80°C
- Waterproof: IP67
- Connection mode: threaded connection
- Connection mode: Screw crimping
- Pollution level: 3
- Cable diameter: 4~7MM

Material specification



5	Body	PA	BLACK	Pcs	1
4	PIN	Copper	G/F	Pcs	1
3	Screw Cap	Brass	Nickel plated	Pcs	1
2	O-RING	Rubber	/	Pcs	1
1	Insulator	PA	BLACK	Pcs	1
No.	Specification	Material	Treat	Unit	Q'ty

REV.	REVISION RECORD	DATE		GENERAL TOLERANCES		SCALE: 1:1	NAME	DATE	PART.NO:	DWG.NO:	
AO	NEW RELEASE	2023.11.28		LINEAR	ANGLES	APPROVED			M12A05-02-010	ENDE05	
				0.0±0.35	X°REF±6°	DESIGNER			TITLE:		
				UNIT:mm	0.00±0.25	X°±3°	DRAWN		M12 Packaged female plug PG9		
			SIZE: A4	0.000±0.10	X°X' ±2°					REV: A0	SHEET: 1/1