

SPECIFICATIONS

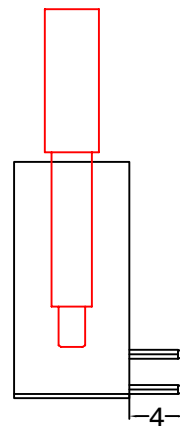
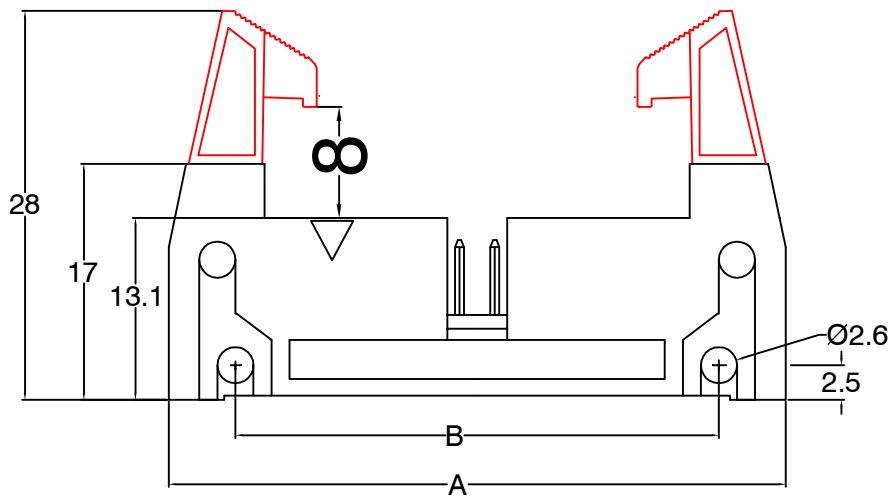
Current Rating:3Amps
 Insulation Resistance:1000MΩ min
 Withstanding Voltage: 1000VAC
 Contact Resistance:20mΩ max
 Operating Temperture:-40° C to+105° C
 Standard:PBT
 Contact Material:Brass
 Contact Plating:Au or Sn Over Ni
 Max.Processing Temp:180°Cfor30-60second
 (200°Cfor10second)

Code Description

[CH-254-BH-XX-R-GO-A](#)

(1) (2) (3) (4) (5) (6)

- (1) Pin Spacing: 254=2.54mm
- (2) Product Name: BH=Box Header
- (3) No. of Pins Per Row:6-64
- (4) ContactType:S=Straight;R=Right/Angle;M=SMT
- (5) Contact Plating:SN=Tin;GO=Gold Flash;SO=Gold Flash/Tin
- (6) Insulator Material Option:
 A=BK-PBT;B=BK-PA6T;C=BK-PA46;D=BK-LCP;S=Special



No. of	DIN. A	DIN. B	DIN. C	No. of	DIN. A	DIN. B	DIN. C	No. of	DIN. A	DIN. B	DIN. C
6	26.92	16.76	5.08	20	44.70	34.54	22.86	50	82.80	72.64	60.96
8	29.46	19.30	7.62	26	52.32	42.16	30.48	60	95.50	85.34	73.66
10	32.00	21.84	10.16	30	57.40	47.24	35.56	64	100.58	90.42	78.74
14	37.08	26.92	15.24	34	62.48	52.32	40.64				
16	39.62	29.46	17.78	40	70.10	59.94	48.26				

UNLESS OTHIEWIXE SPECIFIED TOLERANCE

X : ±0.3 X° : ±5°
 X.X : ±0.2 X.X° : ±1°
 X.XX : ±0.2 X.XX° : ±0.5°

DRAWM NAME: CH-254-EBH-XX-R-GO-A

SIZE	A4	SCALE	N:1	PROUCT	
REV	A	UNIT	mm	PROJECT	⊕
				PAGE	1/1

CHECKED	LIU SHENG HUI	DATE	05/28	CHECKED		DATE	/
---------	---------------	------	-------	---------	--	------	---