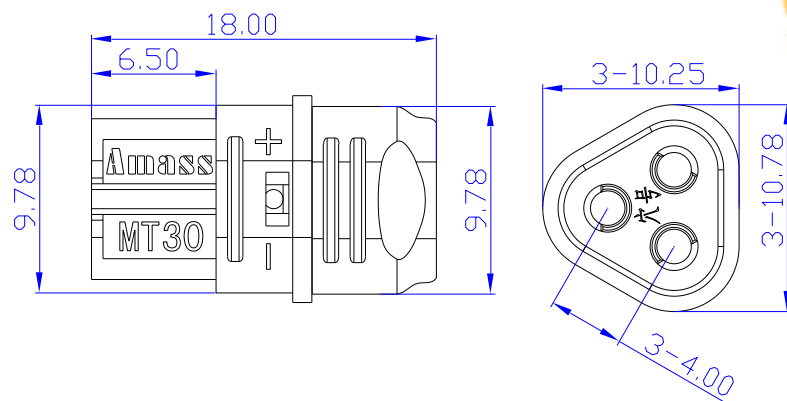




AMASS

(Item No): MT30-F

(Drawing)



■ (Material & Parameter)

Item No.	MT30-F	CR	1.00mΩ
COLOR	 		DC 500V
Metal Material	Brass Gold Plated	RC	15A
Plastic Material	PA	MC	30A
FR LEVEL	UL94 V0	USE TIMES	1000 TIMES
Recommend USE	CONTROLLER	Cable SPEC.	16AWG
CERTIFICATION	---	TEMPERATURE	-20℃ to 120℃

★ (Data sheet will change according with the test background)