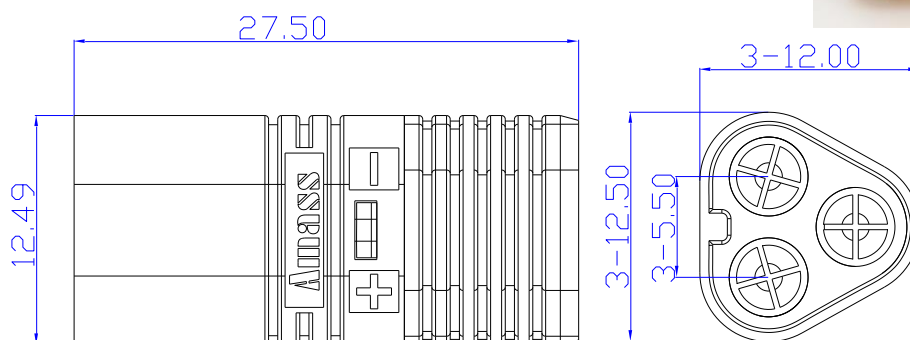


AMASS

(Item No): MT60-M

(Drawing)



■ Material & Parameter)

Item No.	MT60-M	CR	0.45mΩ
COLOR	2 3		DC 500V
Metal Material	Brass Gold Plated	RC	30A
Plastic Material	PA	MC	60A
FR LEVEL	UL94 V0	USE TIMES	1000 TIMES
Recommend USE	CONTROLLER	Cable SPEC.	12AWG
CERTIFICATION	. ---	TEMPERATURE	.-20°C to 120°C

(Data sheet will change according with the test background)