

# PSC 1,5/ 3-M - PCB header



1841857

<https://www.phoenixcontact.com/pc/products/1841857>

Please be informed that the data shown in this PDF document is generated from our online catalog. Please find the complete data in the user documentation. Our general terms of use for downloads are valid.



PCB headers, nominal cross section: 1.5 mm<sup>2</sup>, color: green, nominal current: 8 A, rated voltage (III/2): 320 V, contact surface: Sn, contact connection type: Pin, number of potentials: 3, number of rows: 1, number of positions: 3, number of connections: 3, product range: PSC 1,5/..-M, pitch: 3.5 mm, mounting: Wave soldering, pin layout: Zigzag pinning W, solder pin [P]: 3.5 mm, number of solder pins per potential: 1, plug-in system: PSC 1,5, Electrical properties: shielded, Pin connector pattern alignment: Standard, locking: Screw locking mechanism, mounting method: Threaded flange, type of packaging: packed in cardboard

## Your advantages

- Well-known connection principle allows worldwide use
- Shroud for professional EMC shield feed-through on the inside of the device
- Screwable flange for superior mechanical stability

## Commercial data

Item number	1841857
Packing unit	50 pc
Minimum order quantity	50 pc
Product key	AABWPB
Catalog page	Page 251 (C-1-2013)
GTIN	4017918111861
Weight per piece (including packing)	6.922 g
Weight per piece (excluding packing)	6.4 g
Customs tariff number	85366930
Country of origin	PL

# PSC 1,5/ 3-M - PCB header



1841857

<https://www.phoenixcontact.com/pc/products/1841857>

## Technical data

### Product properties

Product type	PCB headers
Product family	PSC 1,5/..-M
Product line	COMBICON Connectors S
Type	Headers with shielding
Number of positions	3
Pitch	3.5 mm
Number of connections	3
Number of rows	1
Number of potentials	3
Mounting flange	without
Pin layout	Zigzag pinning W
Solder pins per potential	1
Electrical characteristic	shielded

### Electrical properties

Nominal current $I_N$	8 A
Nominal voltage $U_N$	320 V
Rated voltage (III/3)	250 V
Rated surge voltage (III/3)	4 kV
Rated voltage (III/2)	320 V
Rated surge voltage (III/2)	4 kV
Rated voltage (II/2)	630 V
Rated surge voltage (II/2)	4 kV
Electrical characteristic	shielded

### Mounting

Mounting type	Wave soldering
Pin layout	Zigzag pinning W

### Material specifications

#### Material data - contact

Note	WEEE/RoHS-compliant, free of whiskers according to IEC 60068-2-82/JEDEC JESD 201
Contact material	Cu alloy
Surface characteristics	Tin-plated
Metal surface contact area (top layer)	Tin (5 - 7 $\mu\text{m}$ Sn)
Metal surface contact area (middle layer)	Nickel (2 - 3 $\mu\text{m}$ Ni)
Metal surface soldering area (top layer)	Tin (5 - 7 $\mu\text{m}$ Sn)
Metal surface soldering area (middle layer)	Nickel (2 - 3 $\mu\text{m}$ Ni)

#### Material data - housing

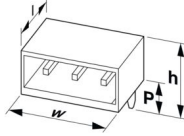
# PSC 1,5/ 3-M - PCB header

1841857

<https://www.phoenixcontact.com/pc/products/1841857>

Color (Housing)	green (6021)
Insulating material	PA
Insulating material group	I
CTI according to IEC 60112	600
Flammability rating according to UL 94	V0
Glow wire flammability index GWFI according to EN 60695-2-12	850
Glow wire ignition temperature GWIT according to EN 60695-2-13	775
Temperature for the ball pressure test according to EN 60695-10-2	125 °C

## Dimensions

Dimensional drawing	
Pitch	3.5 mm
Width [w]	32.1 mm
Height [h]	17.15 mm
Length [l]	20.85 mm
Installed height	13.65 mm
Solder pin length [P]	3.5 mm

## PCB design

Hole diameter	1.2 mm
---------------	--------

## Electrical tests

### Air clearances and creepage distances |

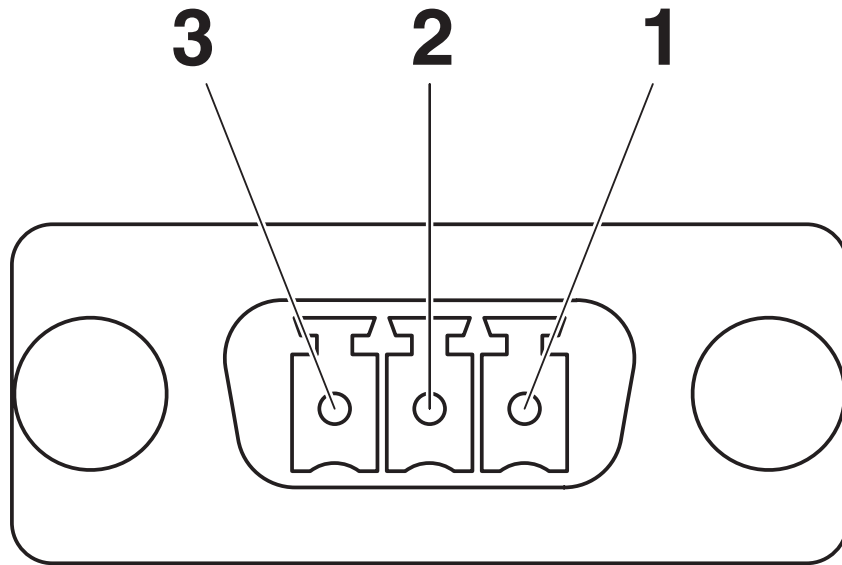
Insulating material group	I
Rated insulation voltage (III/3)	250 V
Rated surge voltage (III/3)	4 kV
Rated insulation voltage (III/2)	320 V
Rated surge voltage (III/2)	4 kV
Rated insulation voltage (II/2)	630 V
Rated surge voltage (II/2)	4 kV

## Packaging specifications

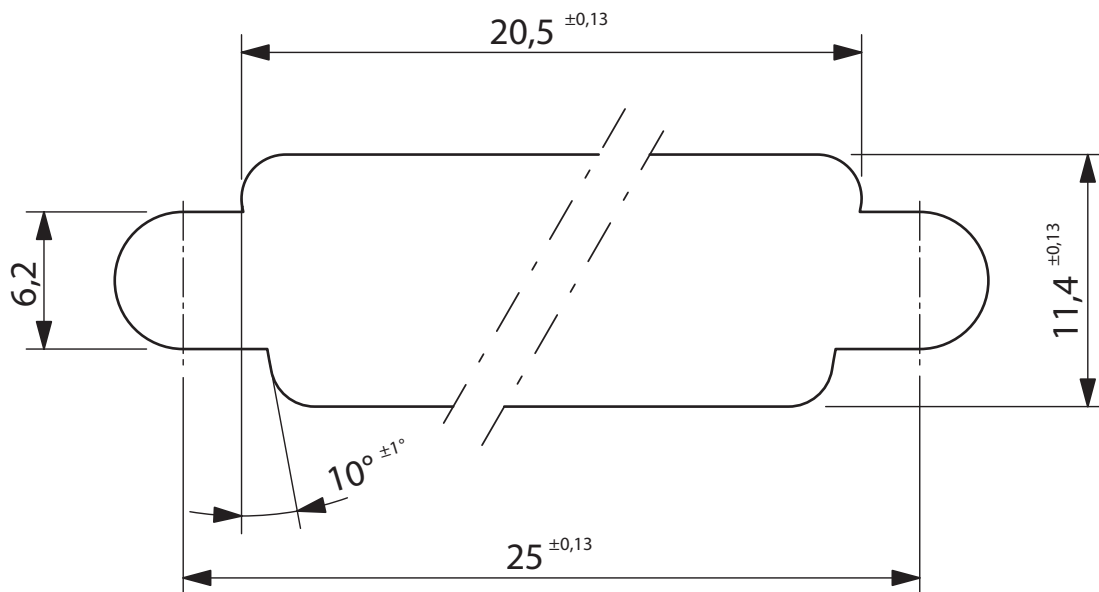
Type of packaging	packed in cardboard
-------------------	---------------------

## Drawings

Schematic diagram

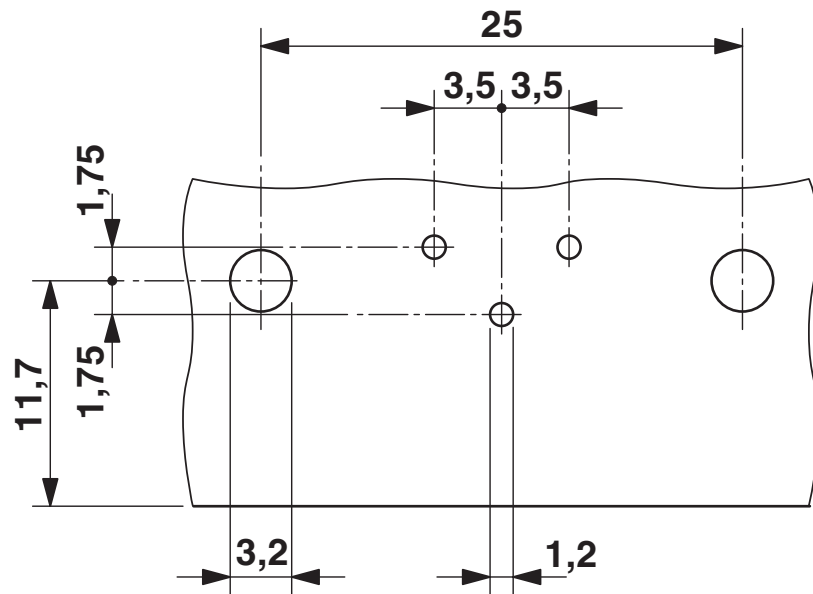


Dimensional drawing

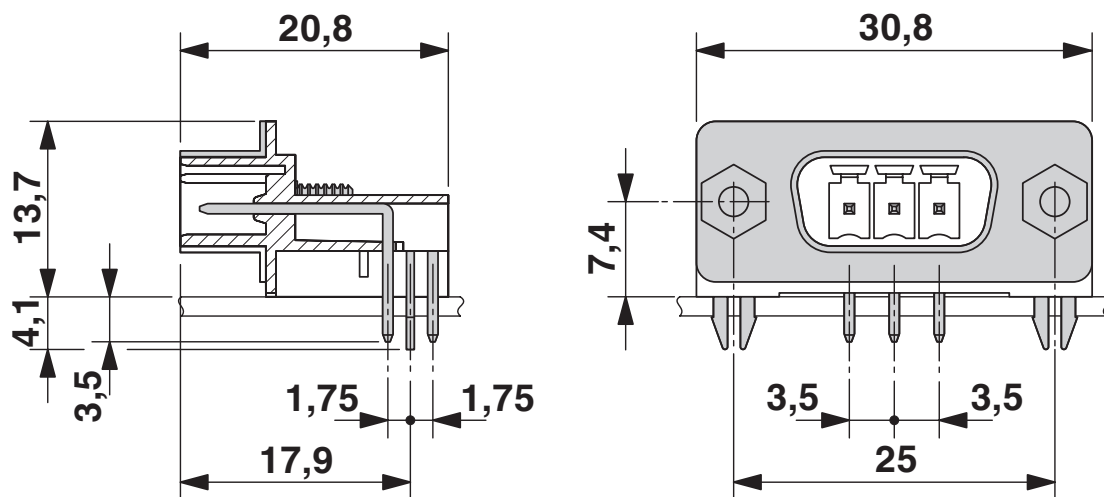


Panel cutout in acc. with DIN 41652-3 for walls up to 4.5 mm thick

Drilling plan/solder pad geometry



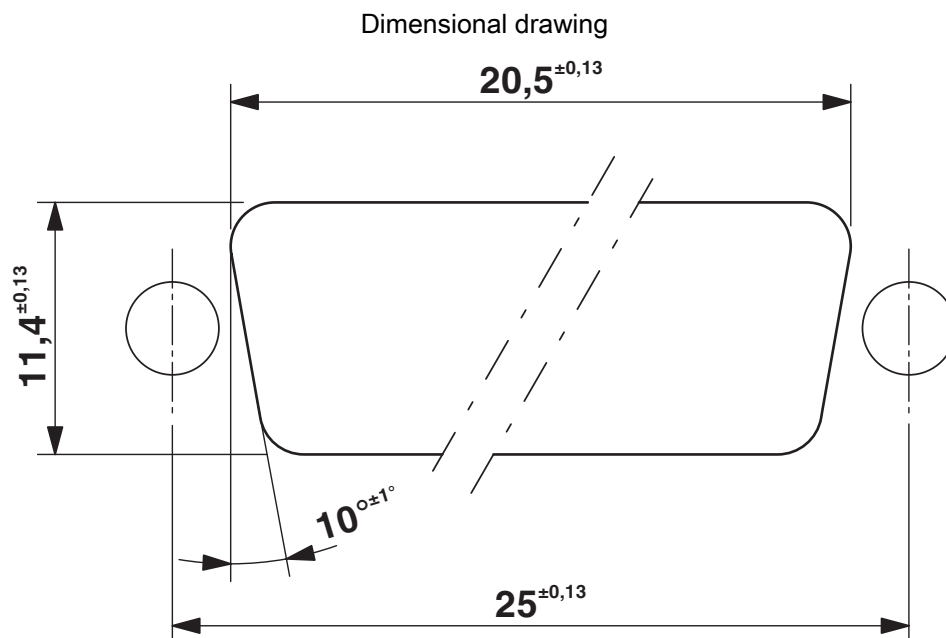
Dimensional drawing



# PSC 1,5/ 3-M - PCB header

1841857

<https://www.phoenixcontact.com/pc/products/1841857>



Panel cutout in acc. with DIN 41652-3 for wall up to 2.0 mm thick

# PSC 1,5/ 3-M - PCB header





1841857

<https://www.phoenixcontact.com/pc/products/1841857>

## Approvals

To download certificates, visit the product detail page: <https://www.phoenixcontact.com/pc/products/1841857>

 <b>CSA</b> Approval ID: 13631				
	Nominal voltage $U_N$	Nominal current $I_N$	Cross section AWG	Cross section $\text{mm}^2$
Use group B	300 V	8 A	-	-
Use group D	300 V	8 A	-	-

 <b>cULus Recognized</b> Approval ID: E60425-19920306				
	Nominal voltage $U_N$	Nominal current $I_N$	Cross section AWG	Cross section $\text{mm}^2$
Use group B	300 V	8 A	-	-
Use group D	300 V	8 A	-	-

# PSC 1,5/ 3-M - PCB header



1841857

<https://www.phoenixcontact.com/pc/products/1841857>

## Classifications

### ECLASS

ECLASS-11.0	27460201
ECLASS-12.0	27460201
ECLASS-13.0	27460201

### ETIM

ETIM 9.0	EC002637
----------	----------

### UNSPSC

UNSPSC 21.0	39121400
-------------	----------

## Environmental product compliance

### EU RoHS

Fulfills EU RoHS substance requirements	Yes
Exemption	6(c)

### China RoHS

Environment friendly use period (EFUP)	EFUP-50
	An article-related China RoHS declaration table can be found in the download area for the respective article under "Manufacturer declaration". For all articles with EFUP-E, no China RoHS declaration table issued and required.

### EU REACH SVHC

REACH candidate substance (CAS No.)	Lead(CAS: 7439-92-1)
	Lead(CAS: 7439-92-1)
SCIP	6d963c8f-3561-4f1d-9ffe-327adc4c85d3

### EF3.0 Climate Change

CO2e kg	0.118 kg CO2e
---------	---------------