

SACC-M12MST-3PECON-PG11-M - Power connector



1404643

<https://www.phoenixcontact.com/pc/products/1404643>

Please be informed that the data shown in this PDF document is generated from our online catalog. Please find the complete data in the user documentation. Our general terms of use for downloads are valid.



Power connector, Power, 4-position, unshielded, Plug straight M12, coding: T, Screw connection, knurl material: Zinc die-cast, nickel-plated, cable gland Pg11, external cable diameter 8 mm ... 10 mm, For direct current up to 12 A/63 V, Contact 4 leading

Your advantages

- Safe use in the field, thanks to a high degree of protection
- Screw connection: proven connection technology for a large selection of different conductors
- High-performance: DC connectors for up to 12 A and 63 V DC
- Protection against incorrect connection using special T-coding

Commercial data

Item number	1404643
Packing unit	1 pc
Minimum order quantity	1 pc
Product key	AF2CAB
Catalog page	Page 184 (C-6-2019)
GTIN	4046356707749
Weight per piece (including packing)	25.95 g
Weight per piece (excluding packing)	25.95 g
Customs tariff number	85366990
Country of origin	DE

Technical data

Notes

General	Strip 22 mm off the cable sheath, strip 7 mm off the conductor insulation, crimp the ferrule, then shorten this to 5 mm. Length of conductor with shortened ferrule: 20 mm. Connect conductors and tighten the mounting screws with 0.2 Nm.
Assembly note	NOTE: Observe the permissible bending radii when routing cables, since the degree of protection may be at risk if the bending forces are too high. Reduce mechanical loads upstream of the connector, e.g., by using cable ties.

Mounting

Assembly note	The wires can be connected both with ferrules and without ferrules
---------------	--

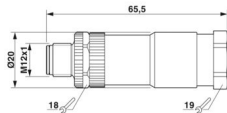
Product properties

Product type	Circular connector (cable-side)
Application	Power supply
Sensor type	Power
Number of positions	4
No. of cable outlets	1
Shielded	no
Coding	T
Cable outlet	straight
Pg screw connection	Pg11

Insulation characteristics

Overvoltage category	III
Degree of pollution	3

Dimensions

Dimensional drawing	
Width	20 mm
Height	20 mm
Length	65.5 mm
Wrench size, union nut	19 mm

External dimensions

Outside diameter	8 mm ... 10 mm
------------------	----------------

Housing

Diameter housing	20 mm
------------------	-------

1404643

<https://www.phoenixcontact.com/pc/products/1404643>

Material specifications

Flammability rating according to UL 94	V0
Seal material	NBR
Material of grip body	PA
Contact material	CuZn
Contact surface material	Au
Contact carrier material	PA
Material for screw connection	Zinc die-cast, nickel-plated

Connection data

Conductor connection

Connection method	Screw connection
Connection cross section	0.75 mm ² ... 1.5 mm ² (without ferrule)
	0.75 mm ² ... 1.5 mm ² (with ferrule)
	0.75 mm ² ... 2.5 mm ² (solid)
Connection cross section AWG	18 ... 14 (without ferrule)
	18 ... 16 (with ferrule)
Stripping length of the individual wire	5 mm
Tightening torque	0.4 Nm (M12 knurl)
	1.5 Nm ... 2 Nm (Pressure screw with sleeve housing)
	0.4 Nm (Screw plug insert with sleeve housing as far it will go)
	0.2 Nm (Screw terminal blocks)

Electrical properties

Rated surge voltage	1.5 kV
Contact resistance	≤ 3 mΩ
Insulation resistance	> 10 GΩ
Nominal voltage U _N	63 V DC
Nominal current I _N	12 A (when using 1.5 mm ² conductors)
	12 A (at 40 °C)

Mechanical properties

Mechanical data

Insertion/withdrawal cycles	≥ 100
-----------------------------	-------

Connector

Connection 1

Head design	Plug
Head cable outlet	straight
Head thread type	M12
Coding	T

SACC-M12MST-3PECON-PG11-M - Power connector



1404643

<https://www.phoenixcontact.com/pc/products/1404643>

Cable/line

Signal type/category	Power
Stripping length of the individual wire	5 mm

Environmental and real-life conditions

Ambient conditions

Degree of protection	IP67
Ambient temperature (operation)	-40 °C ... 85 °C (Plug / socket)

Standards and regulations

Standard designation	M12 connector
Standards/specifications	IEC 61076-2-111

SACC-M12MST-3PECON-PG11-M - Power connector

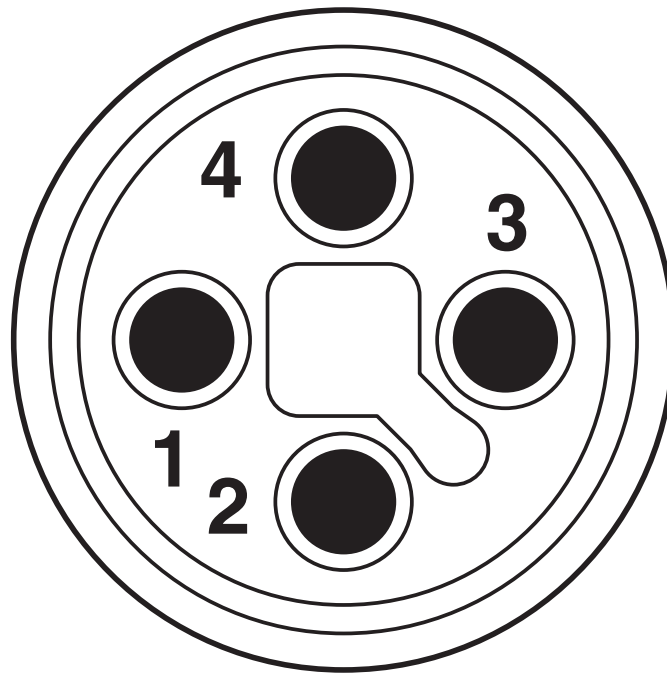


1404643

<https://www.phoenixcontact.com/pc/products/1404643>

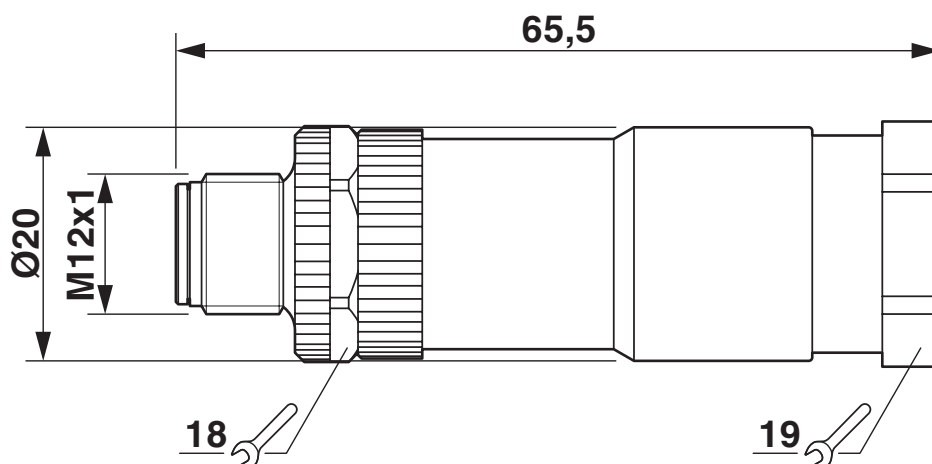
Drawings

Schematic diagram



Connector pin assignment of M12 plug, 4-pos., T-coded, view of pin side

Dimensional drawing



Plug, M12 x 1, straight

SACC-M12MST-3PECON-PG11-M - Power connector





1404643

<https://www.phoenixcontact.com/pc/products/1404643>

Approvals

To download certificates, visit the product detail page: <https://www.phoenixcontact.com/pc/products/1404643>

 cUL Recognized Approval ID: FILE E 221474				
	Nominal voltage U_N	Nominal current I_N	Cross section AWG	Cross section mm^2
	60 V	12 A	- 16	-

 UL Recognized Approval ID: FILE E 221474				
	Nominal voltage U_N	Nominal current I_N	Cross section AWG	Cross section mm^2
	60 V	12 A	- 16	-

cULus Recognized

SACC-M12MST-3PECON-PG11-M - Power connector



1404643

<https://www.phoenixcontact.com/pc/products/1404643>

Classifications

ECLASS

ECLASS-11.0	27440102
ECLASS-12.0	27440116
ECLASS-13.0	27440116

ETIM

ETIM 9.0	EC002635
----------	----------

UNSPSC

UNSPSC 21.0	39121400
-------------	----------

1404643

<https://www.phoenixcontact.com/pc/products/1404643>

Environmental product compliance

EU RoHS

Fulfills EU RoHS substance requirements	Yes
Exemption	6(c)

China RoHS

Environment friendly use period (EFUP)	EFUP-50
	An article-related China RoHS declaration table can be found in the download area for the respective article under "Manufacturer declaration". For all articles with EFUP-E, no China RoHS declaration table issued and required.

EU REACH SVHC

REACH candidate substance (CAS No.)	Lead(CAS: 7439-92-1)
SCIP	339c3d2a-03d4-49c7-bfb3-622826a31873

Phoenix Contact 2025 © - all rights reserved

<https://www.phoenixcontact.com>

PHOENIX CONTACT GmbH & Co. KG

Flachsmarktstraße 8

D-32825 Blomberg

+49 (0) 5235-3 00

info@phoenixcontact.com