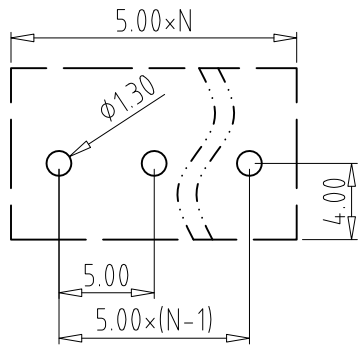
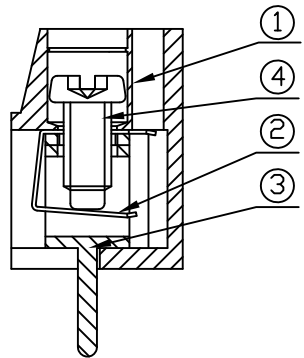
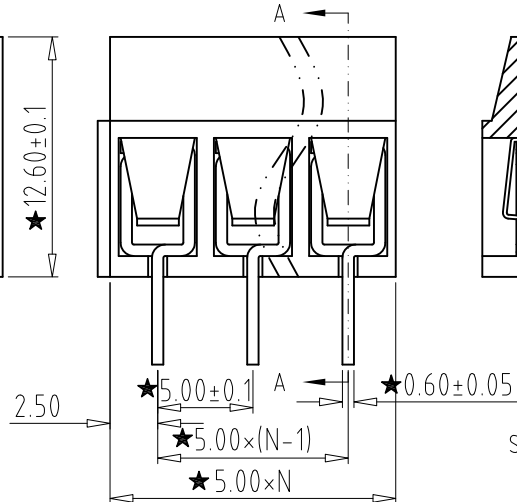
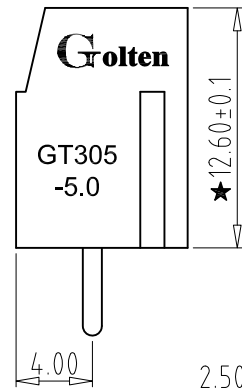
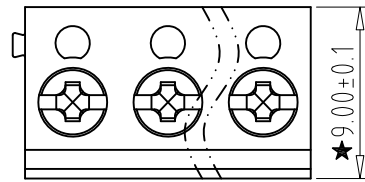


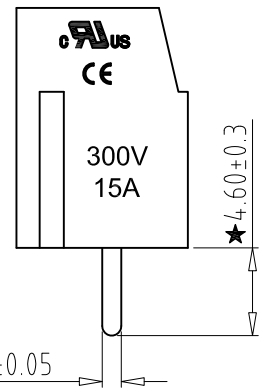
REV	CONTENT	CHK	DATE
V0.0	CONTENT	MYZ	21.06.29
V0.1	修正图面参数	ZCL	25.09.18



PCB LAYOUT



SECTION A-A



Electrical :

- | | | |
|---|------------------|--------------------|
| | UL | IEC |
| 1.Rated Voltage : | 300V | 250V |
| 2.Rated Current : | 15A | 20A |
| 3.Torque Value : | M2.5 , 2.66Lb.in | M2.5 , 0.3N.m |
| 4.Wire Range: | 22-14AWG | 2.5mm ² |
| 5.Stripping Length : | 5-6mm | |
| 6.Withstanding Voltage : | AC2000V/1Min. | |
| 7.Operating Temperature : | -30°C ~ +120°C | |
| 8.RoHS Compliance | | |
| 9.Safty Approval : | | |
| 10." ★" is the key quality control point. | | |

GT305 - 5.0 -XXP - X X - 02

- | | | | |
|---|-------------------|---|--|
| ① | Series NO. | ④ | 1 Single Pitch
2 Double Pitch |
| ② | Pitch | ⑤ | Color: 1 Grey
2 Blue
3 Black
4 Green
5 Orange
6 Red
7 Transparent
8 Yellow
9 White |
| ③ | Poles | ⑥ | Customer Request: 02-- Cross Screw |
| | 02 02Contacts | | |
| | 03 03Contacts | | |
| | ... 24 24Contacts | | |

4	SCREW	XX	P	Steel	Zn Plated
3	PIN HEADER	XX	P	Brass	Tin Plated
2	SHRAPNEL	XX	P	Stainless steel	
1	HOUSING	XX	1	PBT UL94V-0	SEE NOTE
ITEM	NAME OF PART	NO. OF PART	Q'TY	MATERIAL	NOTE
DWG.	MYZ	DATE	21.06.29	SIZE	A4 UNITS mm SHEET/OF 1/1
CHK.		DATE		SCALE	1:1
APP.		DATE		NAME	GT305-5.0-XXP-XX-02
				DWGNO.	XXXX

Grolten 宁波冠泰电子有限公司
NINGBO GOLTEN ELECTRONICS CO., LTD.

Total Pitch Tolerances in mm										Nominal dimension range in mm										⊥	≡	-	//							
over 0	over 30	over 53	over 70	over 90	over 115	over 150	over 250	over 350	over 500	over 0	over 30	over 53	over 70	over 90	over 115	over 150	over 200	over 250	over 320	over 0	over 10	over 100	over 150	0	0.2	0.3	0.3	0.2	0.3	0.5
±0.18	±0.20	±0.25	±0.3	±0.35	±0.44	±0.60	±0.70	±0.85	±0.20	±0.25	±0.30	±0.35	±0.44	±0.55	±0.70	±0.80	±0.90	0.2	0.3	0.3	0.2	0.3	0.5	0.2	0.3	0.3	0.2	0.3	0.5	