

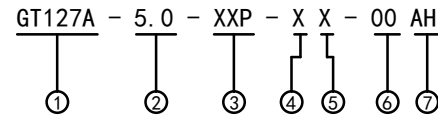
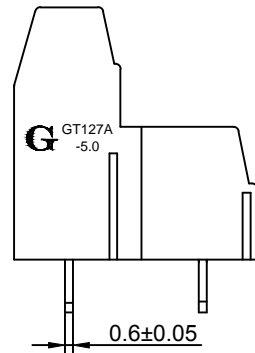
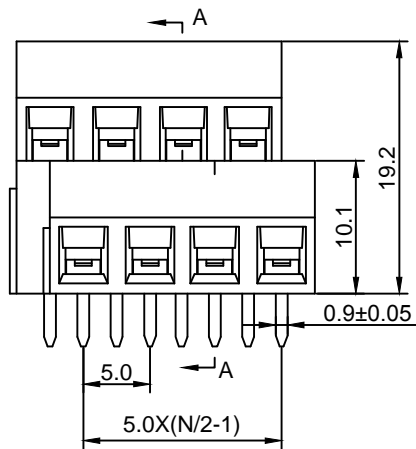
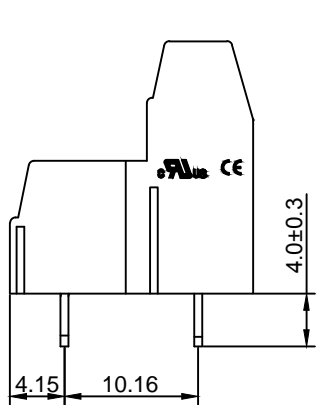
**Material :**

- (a) Housing1 : PA66(UL94V-0)
- (b) Screws : Steel , Cr<sup>3+</sup>Zn Plated
- (c) Pin Header1 : Brass Tin Plated
- (d) Cage : Brass , Ni Plated
- (e) Housing2 : PA66(UL94V-0)
- (f) Pin Header2 : Brass Tin Plated

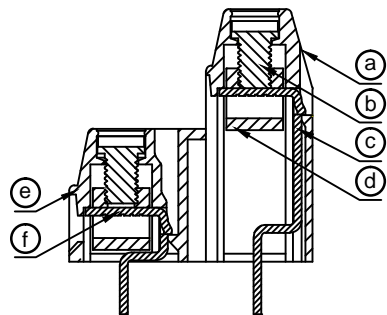
**Electrical :**

- |                              |                |                        |
|------------------------------|----------------|------------------------|
|                              | UL             | IEC                    |
| 1.Rated Voltage :            | 300V           | 250V                   |
| 2.Rated Current :            | 12A            | 15A                    |
| 3.Torque Value :             | M3 , 4.43Lb.in | M3 , 0.5N.m            |
| 4.Wire Range:                | 26-14AWG       | 0.5-1.5mm <sup>2</sup> |
| 5.Stripping Length :         | 6-7mm          |                        |
| 6.Withstanding Voltage :     | AC2000V/1Min.  |                        |
| 7.Operating Temperature :    | -40°C~+105°C   |                        |
| 8.RoHS Compliance            |                |                        |
| 9.Safety Approval :          | UL             |                        |
| 10.Undimensioned Tolerances: |                |                        |

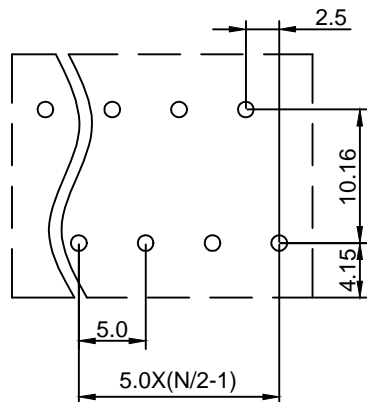
Pitch Range In mm		Nominal Dimension Range In mm					
≤6	6	10	30	60	100	>150	0.05/10
	~ 10	~ 24	~ 60	~ 100	~ 150		↙
±0.10	±0.15	±0.25	±0.20	±0.30	±0.50	±0.70	±1.00
							±0.1°



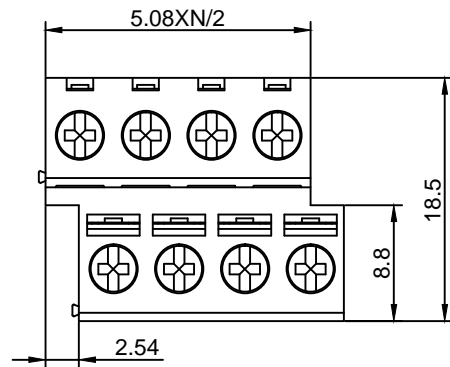
- ① Series No.
- ② Pitch
- ③ Poles  
04 04Contacts  
06 06Contacts  
...  
48 48Contacts
- ④ 1 Single Pitch  
2 Double Pitch
- ⑤ Color: 1 Grey  
2 Blue  
3 Black  
4 Green(Standard For AH)  
5 Orange  
6 Red  
7 Transparent  
8 Yellow  
9 White
- ⑥ Customer Request: 00--Standard
- ⑦ AH--Standard(PA66)



A-A



DETACHED LISTS	<b>Grolten</b> NINGBO GOLTEN ELECTRONICS CO., LTD.		宁波冠泰电子有限公司	
	APPD: MA_8/17/16'	PART NO. GT127A-5.0-XXP-XX-00AH		
	CHKD: Yu_8/16/16'	DRAWING NO.		
	DRFT: Chen_8/15/16'	DO NOT SCALE DRAWING		REV 1
THIRD ANGLE PROJECTION		MM (INCH)	SCALE 1/1	SHEET 1/1



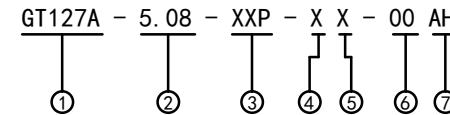
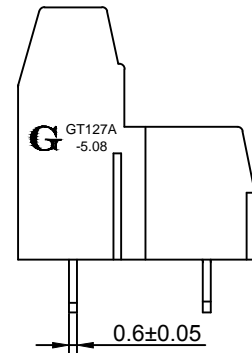
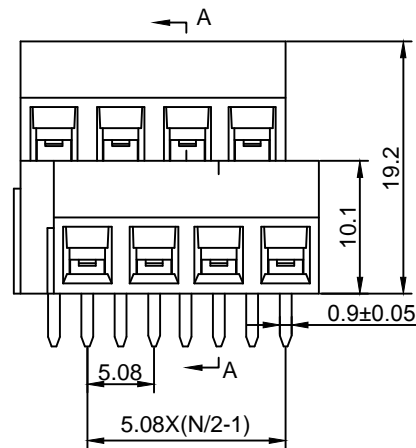
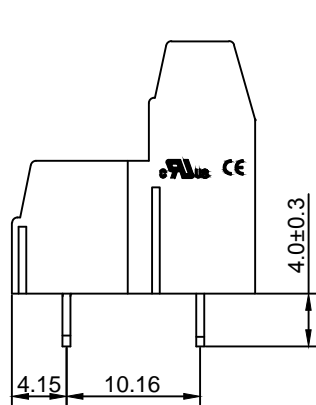
**Material :**

- (a) Housing1 : PA66(UL94V-0)
- (b) Screws : Steel , Cr<sup>3+</sup>Zn Plated
- (c) Pin Header1 : Brass Tin Plated
- (d) Cage : Brass , Ni Plated
- (e) Housing2 : PA66(UL94V-0)
- (f) Pin Header2 : Brass Tin Plated

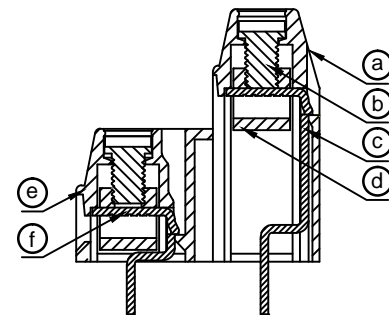
**Electrical :**

- |                              |                |                        |
|------------------------------|----------------|------------------------|
|                              | UL             | IEC                    |
| 1.Rated Voltage :            | 300V           | 250V                   |
| 2.Rated Current :            | 12A            | 15A                    |
| 3.Torque Value :             | M3 , 4.43Lb.in | M3 , 0.5N.m            |
| 4.Wire Range:                | 26-14AWG       | 0.5-1.5mm <sup>2</sup> |
| 5.Stripping Length :         | 6-7mm          |                        |
| 6.Withstanding Voltage :     | AC2000V/1Min.  |                        |
| 7.Operating Temperature :    | -40°C~+105°C   |                        |
| 8.RoHS Compliance            |                |                        |
| 9.Safety Approval :          | UL             |                        |
| 10.Undimensioned Tolerances: |                |                        |

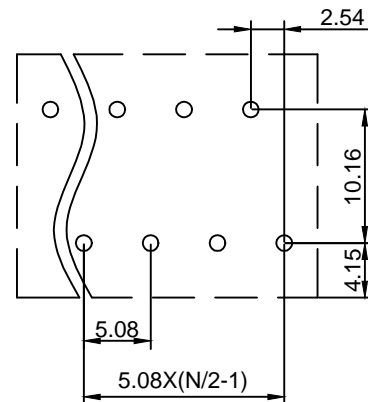
Pitch Range In mm		Nominal Dimension Range In mm					
≤6	6 ~ 10	10 ~ 24	≤30	30 ~ 60	60 ~ 100	100 ~ 150	0.05/10
±0.10	±0.15	±0.25	±0.20	±0.30	±0.50	±0.70	±0.1°



- ① Series No.
- ② Pitch
- ③ Poles  
04 04Contacts  
06 06Contacts  
...  
48 48Contacts
- ④ 1 Single Pitch  
2 Double Pitch
- ⑤ Color: 1 Grey  
2 Blue  
3 Black  
4 Green(Standard For AH)  
5 Orange  
6 Red  
7 Transparent  
8 Yellow  
9 White
- ⑥ Customer Request: 00--Standard
- ⑦ AH--Standard(PA66)



A-A



DETACHED LISTS	<b>Grolten</b>		宁波冠泰电子有限公司 NINGBO GOLTEN ELECTRONICS CO., LTD.	
	APPD: MA_8/17/16'	PART NO. GT127A-5.08-XXP-XX-00AH		
	CHKD: Yu_8/16/16'	DRAWING NO.		
	DRFT: Chen_8/15/16'	REV 1		
THIRD ANGLE PROJECTION		MM (INCH)	DO NOT SCALE DRAWING	SCALE 1/1