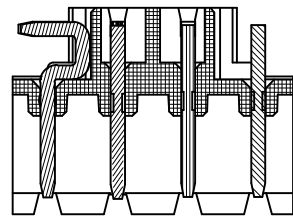


REV	CONTENT	CHK	DATE
V0.0	CONTENT	EXL	20.05.11



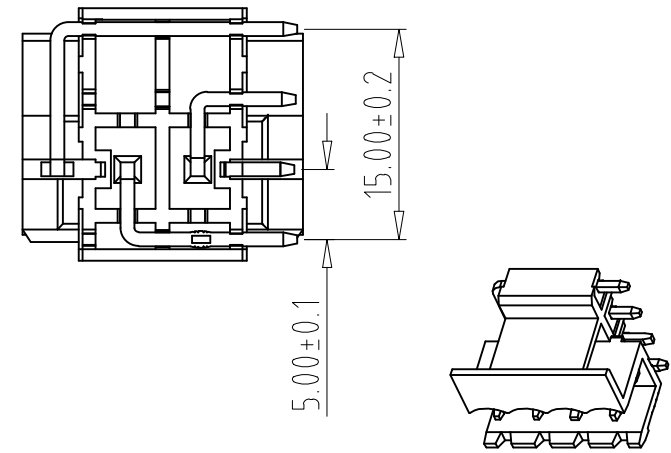
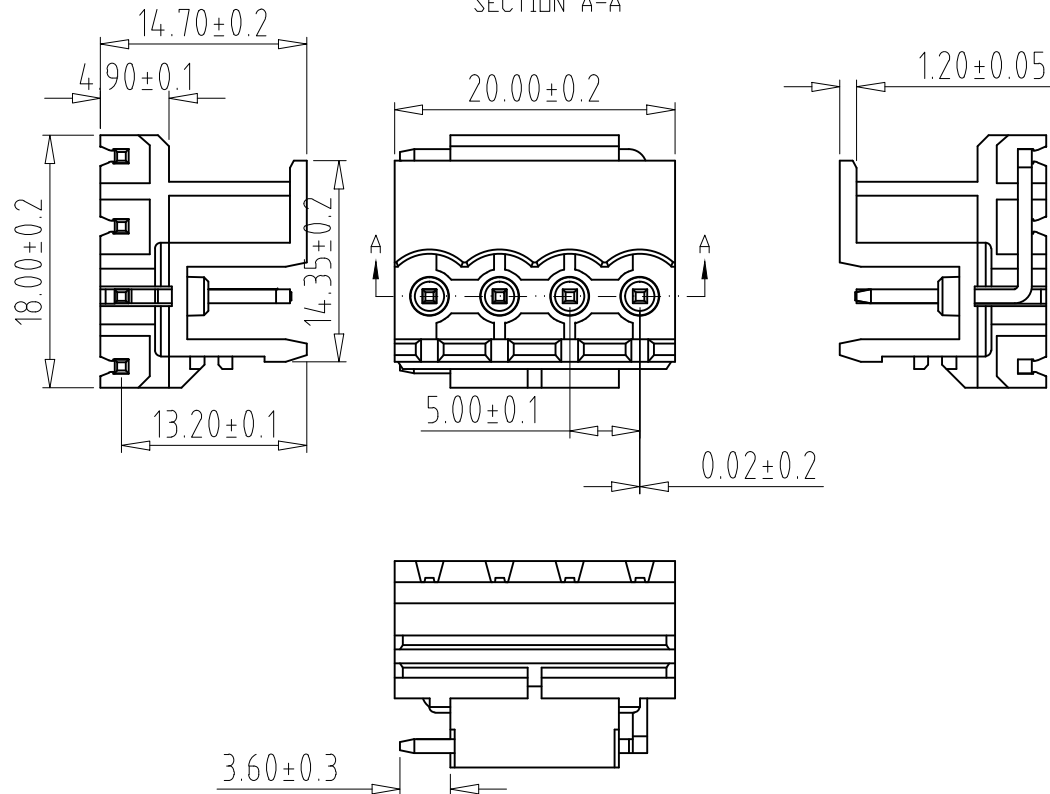
SECTION A-A

Material:

- 1. Male contact pin: Brass Tin plated
- 2. Terminal(housing): Thermoplastic (UL94V-0)

Electrical:

- Voltage rating: 300V
- Current rating: 20A
- Withstanding Voltage: 1.6 KV
- Operating temperature: -40°C to +115°C
- Soldering temperature: 250°C±10°C/5 Sec



5	pin04	XX	1	BRASS	Tin Plated
4	pin03	XX	1	BRASS	Tin Plated
3	pin02	XX	1	BRASS	Tin Plated
2	pin01	XX	1	BRASS	Tin Plated
1	HOUSING	XX	1	PA66 UL94V-0	SEE NOTE
ITEM	NAME OF PART	NO. OF PART	Q'TY	MATERIAL	NOTE
DWG.	CXL	DATE	20.05.11	SIZE	A4 UNITS mm SHEET/OF 1/1
CHK.	DATE			SCALE	1:1
APP.	DATE			NAME	2EGTRF-5.0-04P-1Y-00
				DWGNO.	XXXX

Total Pitch Tolerances in mm								Nominal dimension range in mm																
over 0	over 30	over 53	over 70	over 90	over 115	over 150	over 250	over 350	over 0	over 30	over 53	over 70	over 90	over 115	over 150	over 200	over 250	over 0	over 10	=	//	over 0	over 100	over 150
to 30	to 53	to 70	to 90	to 115	to 150	to 250	to 350	to 30	to 53	to 70	to 90	to 115	to 150	to 200	to 250	to 320	to 10	to 10	to 10	all		to 100	to 150	to 150
±0.18	±0.20	±0.25	±0.3	±0.35	±0.44	±0.60	±0.85	±0.20	±0.25	±0.30	±0.35	±0.44	±0.55	±0.70	±0.80	±0.90	0.2	0.3	0.3			0.2	0.3	0.5