

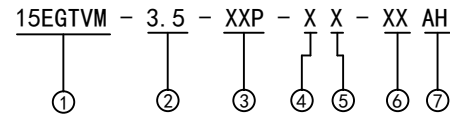
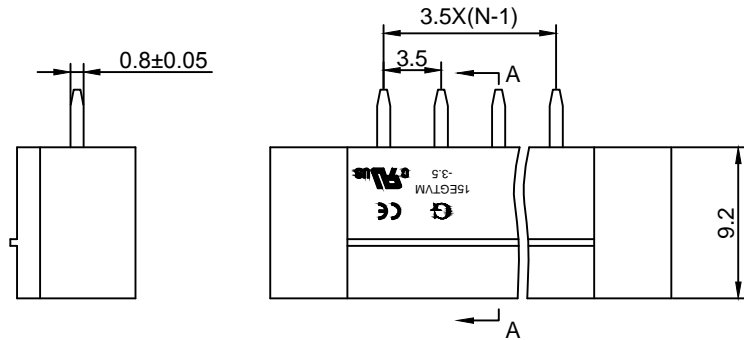
Material :

- (a) Housing : PA66(UL94V-0)
- (b) Pin Header : Brass , Tin Plated
- (c) Nut : Brass

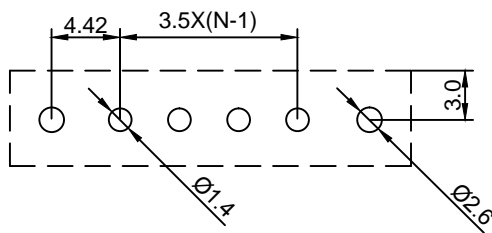
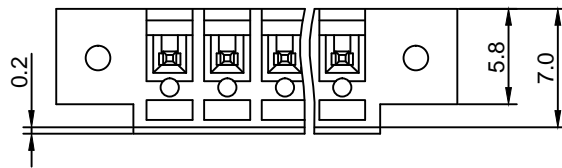
Electrical :

- | | | |
|------------------------------|---------------|------|
| | UL | IEC |
| 1. Rated Voltage : | 300V | 250V |
| 2. Rated Current : | 8A | 7A |
| 3. Withstanding Voltage : | AC1600V/1Min. | |
| 4. Operating Temperature : | -40°C~+105°C | |
| 5. RoHS Compliance | | |
| 6. Safety Approval : | cULus | |
| 7. Undimensioned Tolerances: | | |

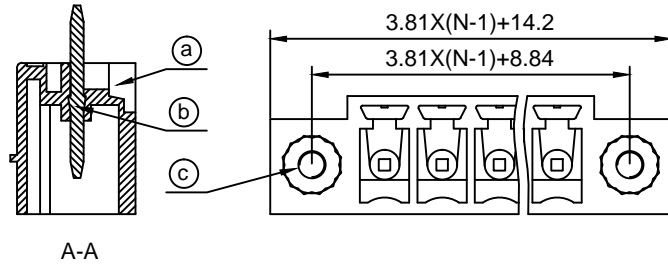
Pitch Range In mm			Nominal Dimension Range In mm					—	∩	∇
≤6	6 ~ 10	10 ~ 24	≤30	30 ~ 60	60 ~ 100	100 ~ 150	>150	0.05/10		
±0.10	±0.15	±0.25	±0.20	±0.30	±0.50	±0.70	±1.00	±0.1°		



- ① Series No.
- ② Pitch
- ③ Poles
02 02Contacts
03 03Contacts
...
24 24Contacts
- ④ 1 Single Pitch
2 Double Pitch
- ⑤ Color: 1 Grey
2 Blue
3 Black
4 Green(Standard For AH)
5 Orange
6 Red
7 Transparent
8 Yellow
9 White
- ⑥ Customer Request : 00--Standard
- ⑦ AH--Standard(PA66)



DETACHED LISTS	Grolten 宁波冠泰电子有限公司 NINGBO GOLTEN ELECTRONICS CO., LTD.							
	APPD: MA_12/24/16'	PART NO. 15EGTVM-3.5-XXP-XX-00AH						
	CHKD: Yu_12/23/16'							
	DRFT: Chen_12/22/16'							
 THIRD ANGLE PROJECTION		<table border="1"> <tr> <td>REV</td> <td>1</td> </tr> <tr> <td>SHEET</td> <td>1/1</td> </tr> <tr> <td>SCALE</td> <td>1/1</td> </tr> </table>	REV	1	SHEET	1/1	SCALE	1/1
REV	1							
SHEET	1/1							
SCALE	1/1							
<table border="1"> <tr> <td>MM (INCH)</td> <td>DO NOT SCALE DRAWING</td> </tr> </table>		MM (INCH)	DO NOT SCALE DRAWING					
MM (INCH)	DO NOT SCALE DRAWING							

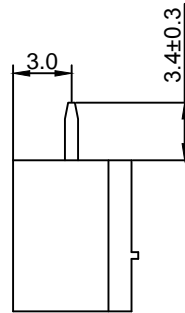
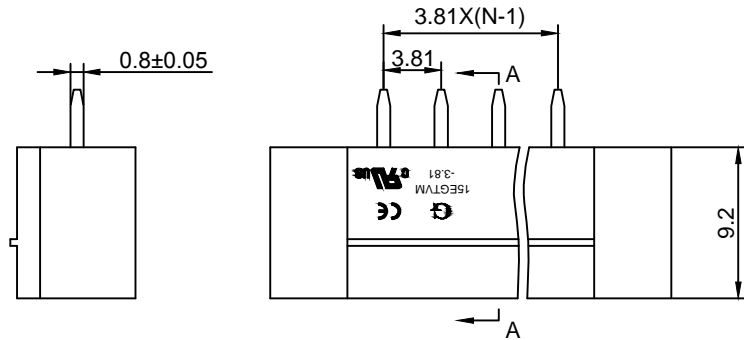


Material :

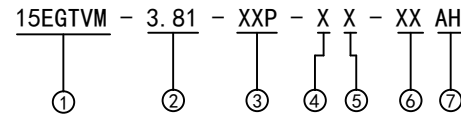
- (a) Housing : PA66(UL94V-0)
- (b) Pin Header : Brass , Tin Plated
- (c) Nut : Brass

Electrical :

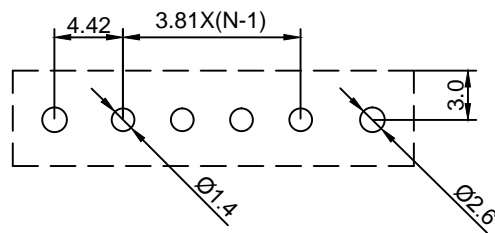
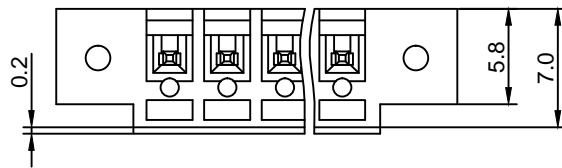
- | | | |
|-----------------------------|---------------|------|
| | UL | IEC |
| 1.Rated Voltage : | 300V | 250V |
| 2.Rated Current : | 8A | 7A |
| 3.Withstanding Voltage : | AC1600V/1Min. | |
| 4.Operating Temperature : | -40°C~+105°C | |
| 5.RoHS Compliance | | |
| 6.Safety Approval : | cULus | |
| 7.Undimensioned Tolerances: | | |



Pitch Range In mm			Nominal Dimension Range In mm					—	∩	∇
≤6	6 ~ 10	10 ~ 24	≤30	30 ~ 60	60 ~ 100	100 ~ 150	>150	0.05/10		
±0.10	±0.15	±0.25	±0.20	±0.30	±0.50	±0.70	±1.00	±0.1°		



- ① Series No.
- ② Pitch
- ③ Poles
02 02Contacts
03 03Contacts
...
24 24Contacts
- ④ 1 Single Pitch
2 Double Pitch
- ⑤ Color: 1 Grey
2 Blue
3 Black
4 Green(Standard For AH)
5 Orange
6 Red
7 Transparent
8 Yellow
9 White
- ⑥ Customer Request : 00--Standard
- ⑦ AH--Standard(PA66)



DETACHED LISTS	Grolten 宁波冠泰电子有限公司 NINGBO GOLTEN ELECTRONICS CO., LTD.							
	APPD: MA_12/24/16'	PART NO. 15EGTVM-3.81-XXP-XX-00AH						
	CHKD: Yu_12/23/16'							
	DRFT: Chen_12/22/16'							
 THIRD ANGLE PROJECTION		<table border="1"> <tr> <td>REV</td> <td>1</td> </tr> <tr> <td>SHEET</td> <td>1/1</td> </tr> <tr> <td>SCALE</td> <td>1/1</td> </tr> </table>	REV	1	SHEET	1/1	SCALE	1/1
REV	1							
SHEET	1/1							
SCALE	1/1							
<table border="1"> <tr> <td>MM (INCH)</td> <td>DO NOT SCALE DRAWING</td> </tr> </table>		MM (INCH)	DO NOT SCALE DRAWING					
MM (INCH)	DO NOT SCALE DRAWING							