

REV	DESCRIPTION	DRFT	DATE

Electrical:

UL Standard

1. Rated voltage: 300V
2. Rated current: 8A

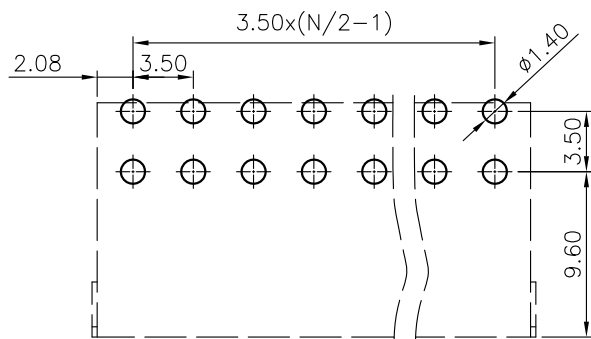
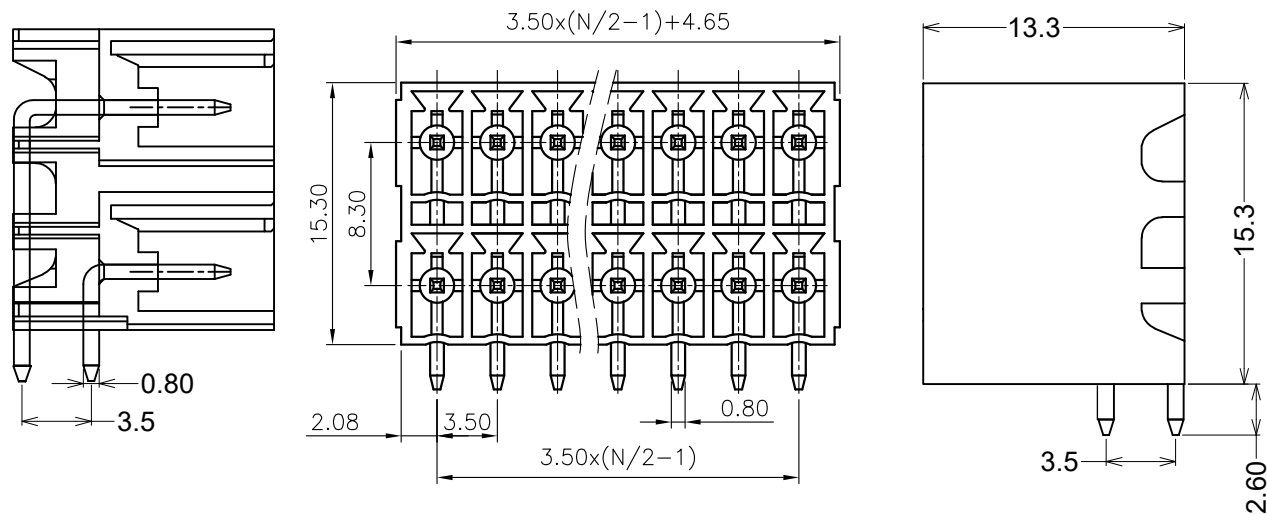
IEC Standard

1. Pollution degree	2
Overvoltage category	II
Rate impulse voltage (KV)	2.5
Rate voltage (V)	250
Rate current (A)	8

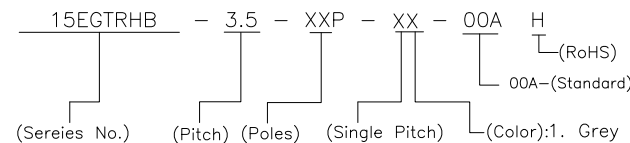
Notes :

1. Pitch: 3.5mm, Poles: N=04~48P
2. Withstanding voltage : AC1600V/1Min.
3. Operating temperature : -40°C~+105°C
4. RoHS Compliance
5. Undimensioned Tolerances:

Pitch Range In mm	Nominal Dimension Range In mm							—	∩	□
	≤6	6 ~ 10	10 ~ 24	≤30	30 ~ 60	60 ~ 100	100 ~ 150			
	±0.15	±0.20	±0.30	±0.30	±0.50	±0.70	±1.00	±1.30	±2'	0.1/10
										<



P.C.B Layout



- (Color):
1. Grey
 2. Blue
 3. Black
 4. Green
 5. Orange
 6. Red
 7. Transparent
 8. Yellow
 9. White

3	Pin header 2	Copper alloy	Sn Plated
2	Pin header 1	Copper alloy	Sn Plated
1	Housing	PA66	UL94V-0
ITEM	NAME OF PART	MATERIAL	NOTES

DETACHED LISTS

APPD: MA_07/24/19 '
 CHKD: /
 DRFT: Nick_07/24/19 '

Grolten 宁波冠泰电子有限公司
 NINGBO GOLTEN ELECTRONICS CO., LTD.

NAME: 15EGTRHB-3.5-XXP-XX-00AH		REV	DO-1
TITLE: CUSTOMER DRAWING		SHEET	1/1
DRAWING NO.: 15EGTRHB-3.5-C01		SCALE	1:1
 THIRD ANGLE PROJECTION		DO NOT SCALE DRAWING	

THIRD ANGLE PROJECTION

MM (INCH)

DO NOT SCALE DRAWING

SCALE 1:1