

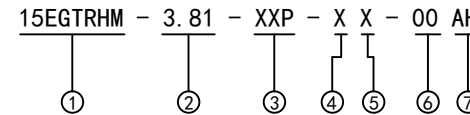
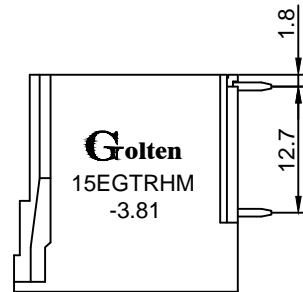
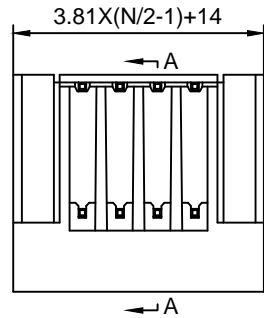
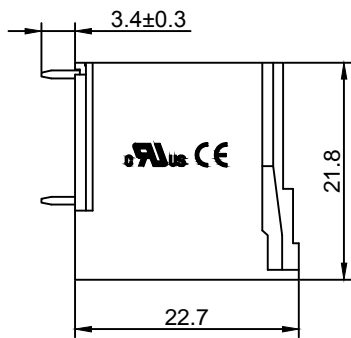
Material :

- (a) Cover : PA66(UL94V-0)
- (b) Housing : PA66(UL94V-0)
- (c) Pin Header1 : Brass , Tin Plated
- (d) Pin Header2 : Brass , Tin Plated
- (e) Nut : Brass

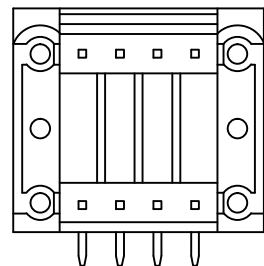
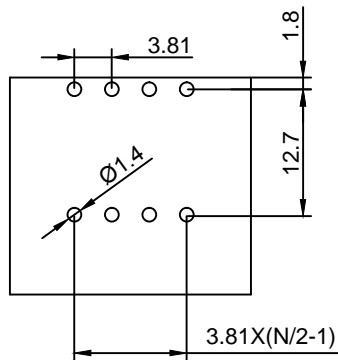
Electrical :

- 1.Rated Voltage : UL 300V IEC 250V
- 2.Rated Current : 8A 7A
- 3.Withstanding Voltage : AC1600V/1Min.
- 4.Operating Temperature : -40°C~+105°C
- 5.RoHS Compliance
- 6.Safety Approval :
- 7.Undimensioned Tolerances:

Pitch Range In mm			Nominal Dimension Range In mm					-	∩	∇
≤6	6 ~ 10	10 ~ 24	≤30	30 ~ 60	60 ~ 100	100 ~ 150	>150	0.05/10		
±0.10	±0.15	±0.25	±0.20	±0.30	±0.50	±0.70	±1.00	±0.1°		



- ① Series No.
- ② Pitch
- ③ Poles
04 04Contacts
06 06Contacts
...
48 48Contacts
- ④ 1 Single Pitch
2 Double Pitch
- ⑤ Color: 1 Grey
2 Blue
3 Black
4 Green(Standard For AH)
5 Orange
6 Red
7 Transparent
8 Yellow
9 White
- ⑥ Customer Request : 00--Standard
- ⑦ AH--Standard(PA66)



DETACHED LISTS	Golten 宁波冠泰电子有限公司 NINGBO GOLTEN ELECTRONICS CO., LTD.							
	APPD: MA_11/13/16'	PART NO. 15EGTRHM-3.81-XXP-XX-00AH						
	CHKD: Yu_11/12/16'							
	DRFT: Chen_11/11/16							
 THIRD ANGLE PROJECTION		<table border="1"> <tr> <td>REV</td> <td>1</td> </tr> <tr> <td>SHEET</td> <td>1/1</td> </tr> <tr> <td>SCALE</td> <td>1/1</td> </tr> </table>	REV	1	SHEET	1/1	SCALE	1/1
REV	1							
SHEET	1/1							
SCALE	1/1							
 MM (INCH)		DO NOT SCALE DRAWING						