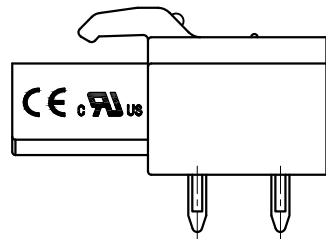
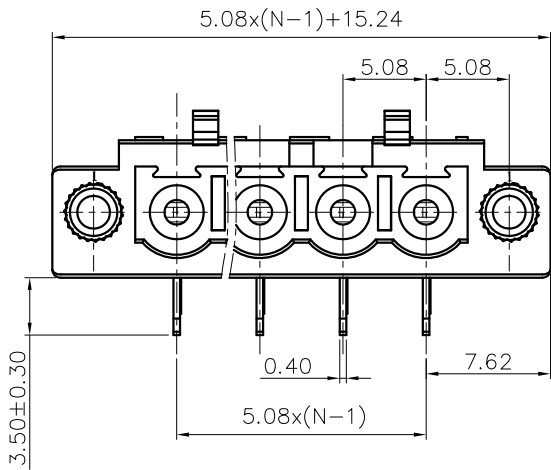
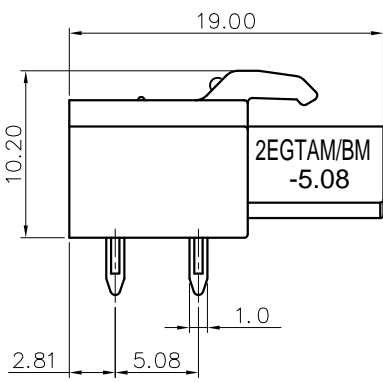
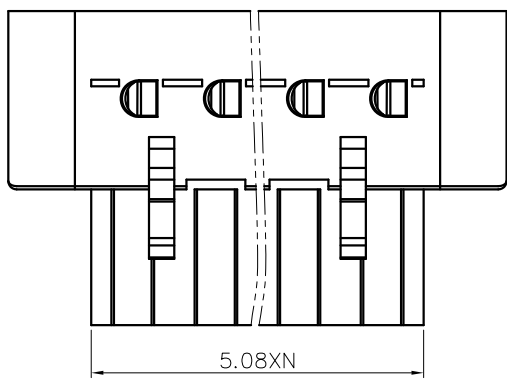
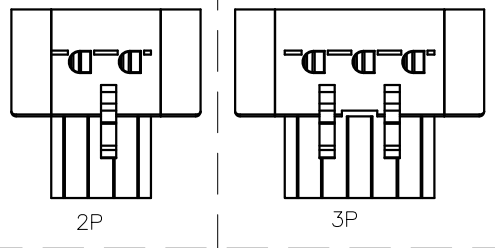


REVISION RECORD				
REV	ECN	DESCRIPTION	DRFT	DATE



NOTES1:

- UL Standard  
 1. Rated voltage/current : 300V / 15A  
 2. Withstanding voltage : AC1600V/1Min.

IEC Standard

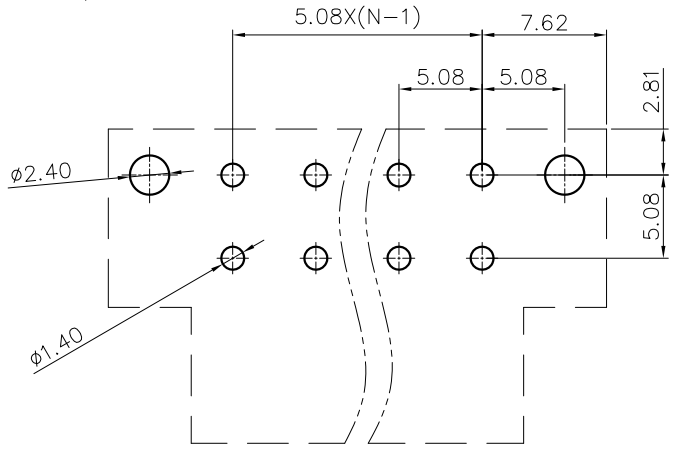
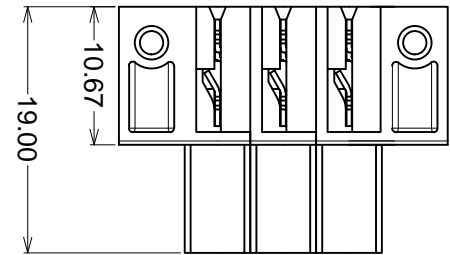
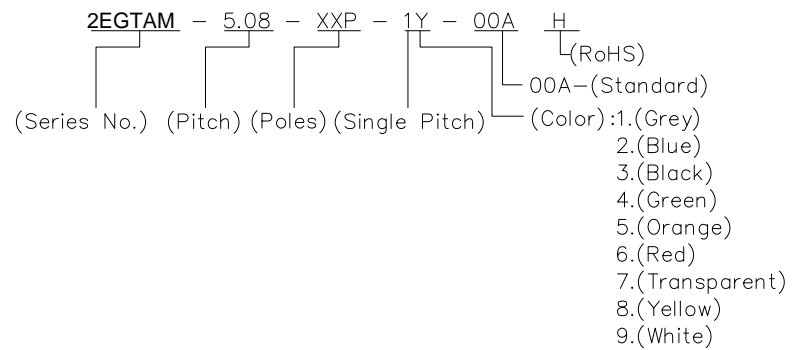
1. Pollution degree	2
Overvoltage category	III
Rate impulse voltage(KV)	4.0KV
Rate voltage(V)	320V
Rate current(A)	20A

NOTES2:

1. Dimension shall be interpreted per ASME Y14.5-2009  
 2. Pitch : 5.08mm, Poles : N=02~24P  
 3. Operating temperature : -40°C~+105°C  
 4. Undimensioned tolerances:

Pitch range in mm		Nominal dimension range in mm						0.1/10
TO	6 TO	Over 10 TO	Over 30 TO	Over 60 TO	Over 100 TO	Over 150	±	
6	10	24	30	60	100	150	<	
±0.15	±0.20	±0.30	±0.30	±0.50	±0.70	±1.00	±1.30	

5. RoHS Compliance



DETACHED LISTS	PART NO.: Eric / 08/15/18'	宁波冠泰电子有限公司 NINGBO GOLTEN ELECTRONICS CO., LTD.		
	APPD: /	NAME: 2EGTAM-5.08-XXP-1Y-00AH		
	CHKD: /	TITLE: CUSTOMER DRAWING		REV / DO
	DRFT: /	DRAWING NO.: /		SHEET 1/1
THIRD ANGLE PROJECTION		MM (INCH)	DO NOT SCALE DRAWING	SCALE 1:1