

**Material :**

- (a) Cover : PA66(UL94V-0)
- (b) Contact : Phosphor Bronze
- (c) Cage : Brass , Ni Plated
- (d) Housing : PA66(UL94V-0)
- (e) Screws : Steel , Cr<sup>3+</sup>Zn Plated

**Electrical :**

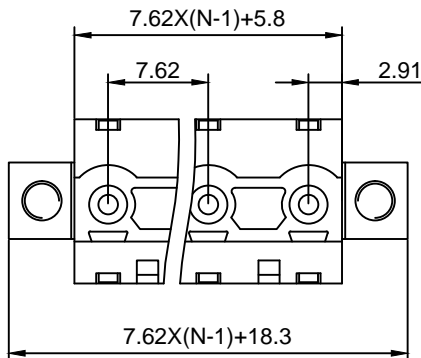
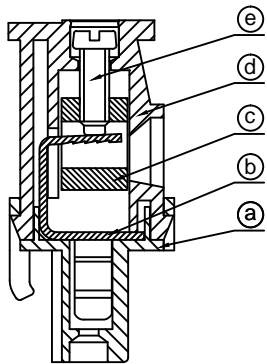
- |                              |                  |                    |
|------------------------------|------------------|--------------------|
|                              | UL               | IEC                |
| 1.Rated Voltage :            | 300V             | 400V               |
| 2.Rated Current :            | 15A              | 10A                |
| 3.Torque Value :             | M2.5 , 3.54Lb.in | M2.5 , 0.4N.m      |
| 4.Wire Range:                | 28-12AWG         | 2.5mm <sup>2</sup> |
| 5.Stripping Length :         | 7-8mm            |                    |
| 6.Withstanding Voltage :     | AC1600V/1Min.    |                    |
| 7.Operating Temperature :    | -40 °C~+105 °C   |                    |
| 8.RoHS Compliance            |                  |                    |
| 9.Safety Approval :          | cRus             |                    |
| 10.Undimensioned Tolerances: |                  |                    |

Pitch Range In mm		Nominal Dimension Range In mm				-	∩	∇
≤6	6 ~ 10	10 ~ 24	≤30	30 ~ 60	60 ~ 100	100 ~ 150	>150	0.05/10
±0.10	±0.15	±0.25	±0.20	±0.30	±0.50	±0.70	±1.00	±0.1°

2EGTKBM - 7.62 -XXP - X X - XX AH

①                      ②                      ③                      ④                      ⑤                      ⑥                      ⑦

- ① Series NO.
- ② Pitch
- ③ Poles  
02 02Contacts  
03 03Contacts  
...  
24 24Contacts
- ④ 1 Single Pitch  
2 Double Pitch
- ⑤ Color: 1 Grey  
2 Blue  
3 Black  
4 Green(Standard For AH)  
5 Orange  
6 Red  
7 Transparent  
8 Yellow  
9 White
- ⑥ Customer Request: 00--Standard M2.5
- ⑦ AH--Standard(PA66)



DETACHED LISTS	<b>Grolten</b> 宁波冠泰电子有限公司 NINGBO GOLTEN ELECTRONICS CO., LTD.				
	APPD: MA_9/16/16'	PART NO. 2EGTKBM-7.62-XXP-XX-00AH			
	CHKD: Yu_9/15/16'				
	DRFT: Chen_9/14/16'	DRAWING NO.			
	 THIRD ANGLE PROJECTION	<table border="1" style="width: 100%; border-collapse: collapse;"> <tr> <td style="width: 50%; text-align: center;">MM (INCH)</td> <td style="width: 50%; text-align: center;">DO NOT SCALE DRAWING</td> </tr> <tr> <td>SCALE</td> <td>1/1</td> </tr> </table>	MM (INCH)	DO NOT SCALE DRAWING	SCALE
MM (INCH)	DO NOT SCALE DRAWING				
SCALE	1/1				
	REV	1			
	SHEET	1/1			