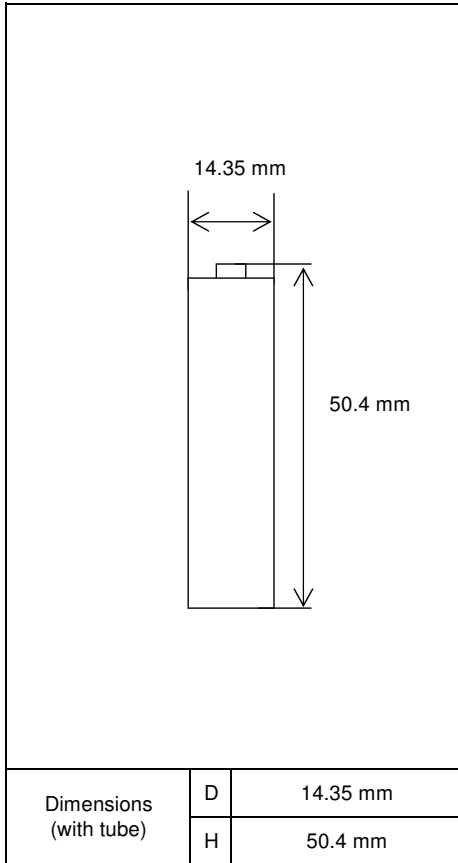




# Cell Type HR-3UTGB

## Specifications

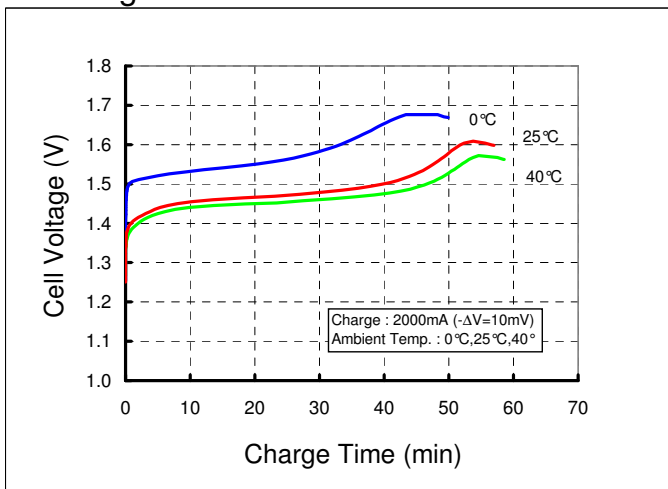


Type : Nickel-Metal Hydride Battery		Size : AA Consumer Type
Capacity <sup>1)</sup>	Typical	2000mAh
	Minimum	1900mAh
Nominal Voltage		1.2V
Charging Current x Time	Fast Charge <sup>2)</sup>	2000mA × 1.1h
Ambient Temp.	Charge Condition	Fast Charge <sup>2)</sup>
	Discharge Condition	0°C - 40°C
	Storage Condition	0°C - 50°C
	Less than 90days	-20°C - 40°C
	Less than 1year	-20°C - 30°C
Internal Impedance <sup>3)</sup> (after discharge to E.V.=1.0V)		Approx. 25mΩ (at 1000Hz)
Weight <sup>4)</sup>		Approx.27g
Size <sup>4)</sup> : (Diameter) x (Height)		14.35(D) x 50.4(H) mm

- 1)Single cell capacity under the following condition.  
Charge : 200mA×16h, Discharge : 400mA(E.V.=1.0V) at 25°C
- 2)Use recommended charging system.
- 3)After a few charge and discharge cycles under the above 1) condition.
- 4)With tube.

## Typical Characteristics

### Charge



### Discharge

