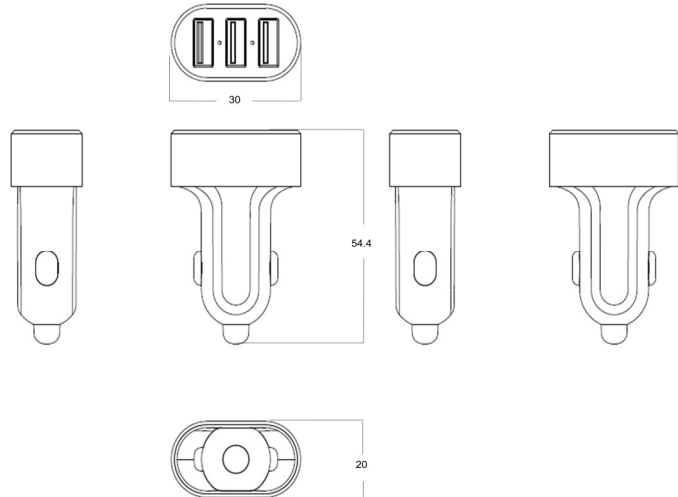


# GP Batteries

## Product Specification

Model no.: CC61



Unit : mm

Product Name	: GP USB Car Charger CC61
Description	: 3 x USB Car Charger
Application	: Charge electronic device via USB output port
Input voltage & current	: 12-24VDC, 2.63A Max
Number of USB port	: 3
USB output voltage & current	: 5V DC, 6.3A (2.4A x 2 + 1.5A x 1).
USB output power	: 31.5W
Over voltage protection (OVP)	: Yes
Over current protection (OCP)	: Yes
Short circuit protection (SCP)	: Yes
Over temperature protection (OTP)	: Yes
Operation Temperature	: -0°C to 40°C
Storage Temperature	: -40°C to 70°C
Product dimension	: 54.4 (L) x 20 (H) x 30 (W) mm
Weight	: 22.8g (approx.)
Approval	: CE
Compliance	: EMC, ROHS, REACH
Warranty Period	: 12 months from ex-factory date