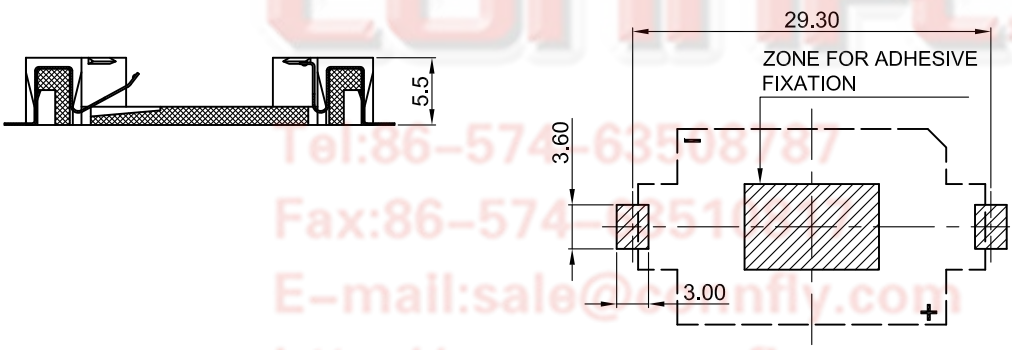
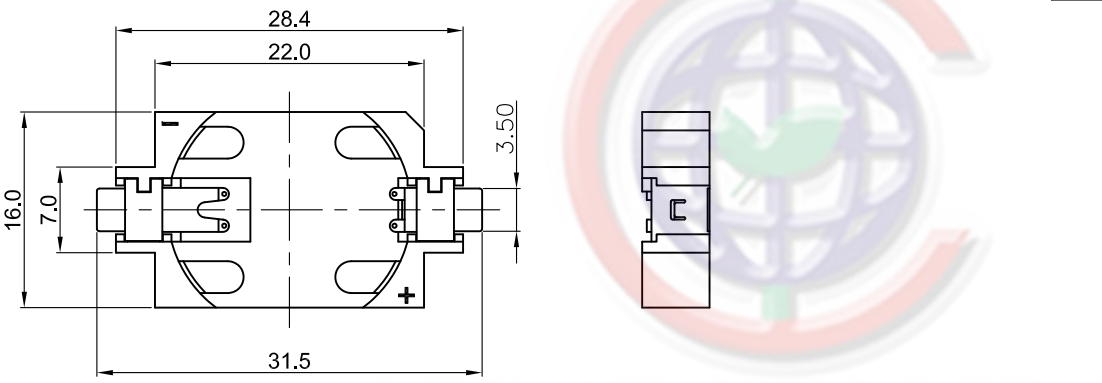


The information provided herein is from CONNELY Electronic Co., Ltd. and is confidential. Any disclosure to a party other than the recipient is prohibited. The intellectual properties and its rights contained herein, including but not limited to, trademarks, patents, copyrights, trade secrets, and technical know-how, are owned exclusively by CONNELY or its affiliates. Unauthorized use of this information in any format or manner. CONNELY may enforce its intellectual property rights at its own discretion; failures or delays to exercise such rights does not constitute a waiver of such rights.

1 2 3 4 5 6 7 8

REV.	DESCRIPTION	DRAWN	CHECKED	APPROVED
A	NEW RELEASE	YCH 08/07/12'		LJC 08/07/12'
B	DRAWING UPDATE	JLZ 07/10/17'		



Recommend PCB Layout
Tolerance=±0.05

NOTE:

- Materials:
 - 1.1 Base: Thermoplastic,UL94 V-0,Color of White. Temp.Range: -25°C to +85°C.
 - 1.2 Positive & Negative Contacts: Copper Alloy.
- Specification:
 - 2.1 Dielectric Withstanding Voltage: AC 500V AC.
 - 2.2 Insulation Resistance: 1000MΩ min.
 - 2.3 Contact Resistance: 100mΩ Max.
- Part Number Code:

DS1092-10 - X X X

- Housing Material:
L: LCP
- Contact Plating:
6: Tin
8: Full gold flash
- Housing Color:
W: White

CONNELY
 Tel:86-574-63508787
 Fax:86-574-63510000
 E-mail:sale@connely.com
 http://www.connely.com
 Add:East Industry Zone KuangYan
 Town Cixi Ningbo China
 P.C:315333

GENERAL TOLERANCE		ANGLE TOLERANCE		PROJECTION		TITLE	2032 Lithium Coin Cell
X.	±0.60	X.	±5°	UNITS	mm		Battery Holders Horizontal insert SMT type
.X	±0.38	.X	±3°	SHEET SIZE	A4	SERIES	DS1092-10 SERIES
.XX	±0.25	.XX	±2°	晨翔电子有限公司 CONNFLY CONNELY ELECTRONIC CO. LTD			
DRAWING TYPE		CUSTOMER					
SCALE	1:1	SHEET	1 OF 1				
DRAWING NO.		C-DS1092-10-XXX-B					

1 2 3 4 5 6 7 8