

Specification Sheet

Electrical Rating at 25°C
 Max Interrupt Voltage: 500 Vac
 Max Operating Voltage: 60 Vdc
 Maximum Interrupt Current: 3 A

Insulating Material:
 meets UL94 V-0 Requirements

Lead Material:
 Tin plated copper, 0.6 mm

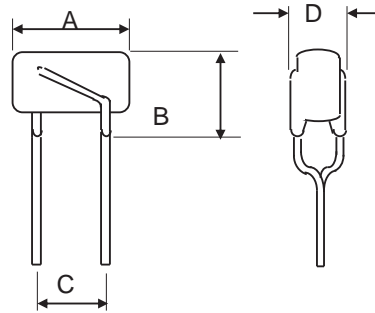


TABLE I. DIMENSIONS:

	A MAX	B MAX	C TYP	D MIN
mm	15.0	15.0	5.1 ± 0.5	7.5

TABLE II. PERFORMANCE RATINGS:

Model	V _{max} (V)	I _{max} (A)	I _{hold} @25°C (A)	I _{trip} @25°C (A)	P _d Max. (W)	Maximum Time To Trip		Resistance		
						Current (A)	Time (Sec)	R _{i min} (Ω)	R _{i max} (Ω)	R _{1 max} (Ω)
Bp160-500	500	3	0.160	0.320	-	1.0	18	4.5	11	16.5