

Specification Sheet

Insulating Material:
meets UL94 V-0 Requirements

Lead-free, RoHS compliant

Lead Material:
Tin plated copper, 24AWG (0.020" Dia)

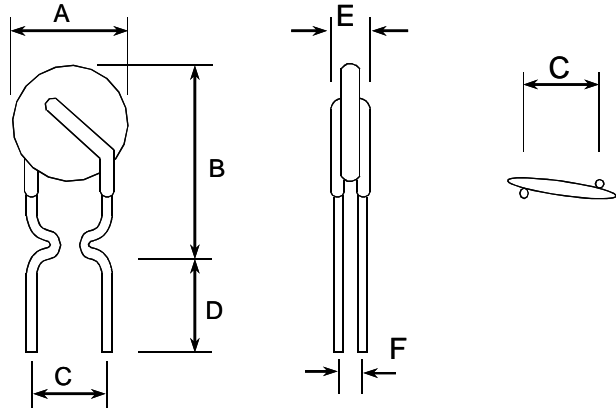


TABLE I. DIMENSIONS:

	A MAX	B MAX	C TYP	D MIN	E MAX	F MAX
mm	11.7	15.8	5.1	7.6	3.1	1.5
in	0.46	0.62	0.20	0.30	0.12	0.06

TABLE II. PERFORMANCE RATINGS:

Model	V_{max} (Vdc)	I_{max} (A)	I_{hold} @25°C (A)	I_{trip} @25°C (A)	P_d Typ. (W)	Maximum Time To Trip		Resistance		
						Current (A)	Time (Sec)	$R_{i_{min}}$ (Ω)	$R_{i_{max}}$ (Ω)	$R_{1_{max}}$ (Ω)
Bp900-072	72	40	0.90	1.80	0.99	4.50	7.2	0.15	0.31	0.47