

Fuseholder Open Design, 6.3 x 32 mm, THT



500 VAC · 16 A (UL)



Description

- Through hole mounting

Standards

- UL 4248-1
- CSA C22.2 no. 4248.1

Approvals

- Approval Reference Type: OG (Holder) 5x20 / 6.3x32
- UL File Number: E39328

Weblinks

[pdf datasheet](#), [html-datasheet](#), [General Product Information](#), [Packaging details](#), [Approvals](#), [CE declaration of conformity](#), [RoHS](#), [CHINA-RoHS](#), [REACH](#), [Distributor-Stock-Check](#), [Detailed request for product](#), [Microsite](#)

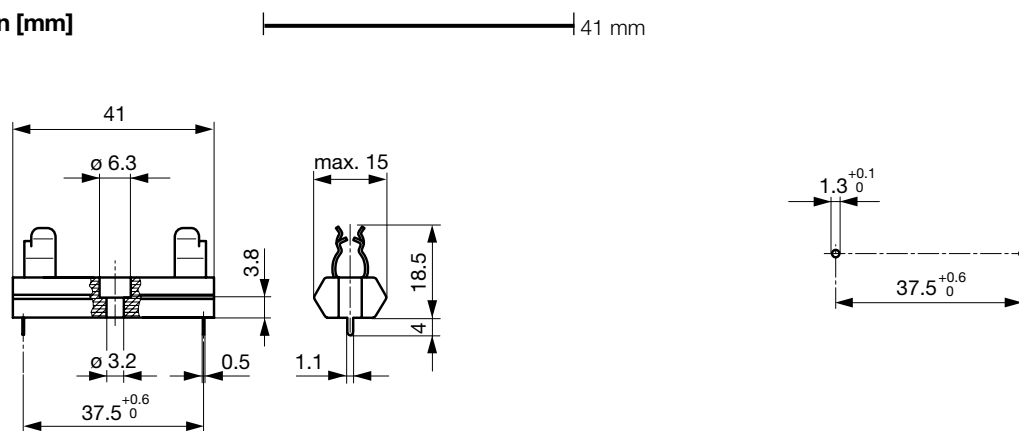
Technical Data

Fuse-Link	6.3 x 32 mm
Mounting	PCB
Attachment	Screw, rivet or THT
Terminal	Solder THT
Rated Voltage	500 VAC (UL)
Rated current	16 A (UL)
Admissible Ambient Air Temp.	-40 °C to 85 °C
Climatic Category	40/085/21 acc. to IEC 60068-1
Material: Terminals	Tin-Plated Copper Alloy
Unit Weight	7.23 g
Storage Conditions	0 °C to 60 °C, max. 70% r.h.
Product Marking	Rated Voltage, Rated current, Approvals

Soldering Methods	Wave Soldering Profile
Solderability	245 °C / 3 sec acc. to IEC 60068-2-20, Test Ta, method 1
Resistance to Soldering Heat	260 °C / 10 sec acc. to IEC 60068-2-20, Test Tb, method 1A
Contact Resistance	< 5 mΩ at 20 mV
Dielectric Strength	> 3 kV (50 Hz; 1 min)
Impulse Withstand Voltage	> 4 kV between Life parts
Insulation Resistance	> 10 MΩ between Life parts (500 VDC; 1 min)

Detailed information on product approvals, code requirements, usage instructions and detailed test conditions can be looked up in [General Product Information](#)

Dimension [mm]



Drilling diagram

All Variants

Holder	Order Number
●	0031.8002

Most Popular.

Availability for all products can be searched real-time:
<http://www.schurter.com/en/Stock-Check/Stock-Check-SCHURTER>

Packaging Unit Bulk (100 pcs.)
